

odass

CATALOG 2023



TO CONTACT US

Our customer and after-sales services are our top priorities.
It will be a pleasure to answer all your questions about our products

HEAD OFFICE

1907, Rue Principale
Pohénégamook, Qc, Canada
G0L 1J0

1 (877) 996-3277
ventes@odass.ca

FOR MORE INFORMATION

www.odass.ca

CONCEPTION & INNOVATION

Odass offers a wide range of bathroom and kitchen products that are carefully designed with quality control at every stage of the process.

Odass uses proven technologies for shaping materials such as acrylic, tungsten heating wires, porcelain, stainless steel and water-resistant protection. For the Pure Surface collection, Odass benefits from an innovative and versatile blend of natural stone and acrylic. These technologies allow the company to offer quality products with elegant finishes and bold textures.

Constantly seeking technological innovation, our product offering evolves in line with the growing needs of the market and contemporary architectural trends.



Dany Thériault, PRESIDENT & FOUNDER
Mégane Thériault, ONLINE PLATFORM MANAGER

TABLE OF CONTENTS

A. ACRYLIC BATHTUBS

A.03	CALLA	OD-6216	A.15	LYS 59	OD-6223	A.21	MALVA	OD-6222
A.07	ORIGAN	OD-6218	A.17	LYS 67	OD-6220	A.23	ACER	OD-6224
A.11	ORTIE	OD-6219	A.19	THUYA	OD-6221	A.25	ALBA	OD-6240
						A.00	DRAINS (BATHTUBS)	

B. TOWEL WARMERS

B.03	KONY	OD-0604	B.15	WAVE	OD-0910
B.07	MALTE	OD-0704	B.19	ROCK	OD-1010
B.11	SYMPHONY	OD-0810	B.23	GARDEN	OD-1106

C. WALL-MOUNTED NICHES

C.03	SONNA	OD-3030	C.09	ASO	OD-3060
C.05	SINNI	OD-3040	C.11	STELLA	OD-3070
C.07	MISA	OD-3050	C.13	ARTA	OD-3080

D. PORCELAIN WASHBASINS

D.03	COSTA	OD-4030	D.09	LEGEND	OD-4050	D.15	PORTA	OD-4055
D.05	ROYAL	OD-4040	D.11	BOREAL	OD-4060	D.17	ARIEL	OD-4065
D.07	CYANA	OD-4045	D.13	SIRINA	OD-4070	D.00	DRAINS (WASHBASINS)	

E. PURE SURFACE COLLECTION

E.03	DESTINY	OD-1740	E.23	MONARCH	OD-1870	E.39	CARRIBBEAN	OD-1840
E.07	RIVA	OD-1750	E.25	MAJESTIC	OD-1860	E.41	HARMONY	OD-1850
E.11	BENGALE	OD-1920	E.27	CLEYA	OD-1720	E.43	EMPRESS	OD-1890
E.13	NAUTILUS	OD-1930	E.29	ALIZE	OD-1710	E.45	RHÔNE	OD-1940
E.15	ODYSSEY	OD-1820	E.31	SEDNA	OD-1845	E.47	EUROPA	OD-1900
E.17	ADMIRAL	OD-1830	E.33	LEMNA	OD-1855	E.49	MISTRAL	OD-1905
E.19	LIVENZA	OD-1950	E.35	GALLIA	OD-1865	E.00	DRAINS (BATHTUBS)	
E.21	OLYMPIA	OD-1880	E.37	OPERA	OD-1910	E.00	DRAINS (WASHBASINS)	

F. NANO TECH COLLECTION

F.03	KAMA	OD-5010	F.11	ALDAN	OD-5030	F.19	LANA LED	OD-5510L
F.05	KOURA	OD-5015	F.13	SANAGA	OD-5035	F.21	SAVANNAH	OD-5520
F.07	TANA	OD-5020	F.15	ELBE	OD-5040	F.23	SAVANNAH LED	OD-5520L
F.09	VOLTA	OD-5025	F.17	LANA	OD-5510	F.00	DRAINS (WASHBASINS)	

G. KITCHEN SINKS

G.03	NEVA	OD-4010
G.05	LIRICA	OD-4020
G.00	LENA	OD-4015

H. ACCESSORIES

H.03	ORIANA	OD-4080
H.05	AUSTRAL	OD-4090
H.07	TORQUAL	OD-0703

I. APPENDICES

I.03	TABLE OF WARRANTIES
I.04	WARRANTIES
I.05	CERTIFICATIONS

A. ACRYLIC BATHTUBS





Odass' acrylic bathtubs are made of a 3.22 mm acrylic sheet reinforced with different layers of fiberglass, layed ontop of steel supports with adjustable legs.

The range offers many sizes and shapes with different finishes, accessories, and faucet assembly options to choose from to adapt in any bathroom easily.

ACRYLIC
BATHTUBS

CALLA



The Calla bathtub is unique in that it can be installed flat on a wall with no gap, perfect for saving space. Add a faucet on the ledge or a wall-mounted faucet for an exceptional style.

CALLA | VERSION

Freestanding bathtub with matching drain & overflow depending on the model.



CALLA I
OD-6216 | WHITE

OD-6270-SS | CHROME



CALLA II
OD-6216-MB | MATTE BLACK & WHITE

OD-6270-MB | MATTE BLACK



*Possibility to choose different drain and overflow finishes (sold separately).
*See page A.00

CALLA | SPECIFICATIONS

One piece on integrated steel support with adjustable legs



Overflow height
14 in. (356 mm)



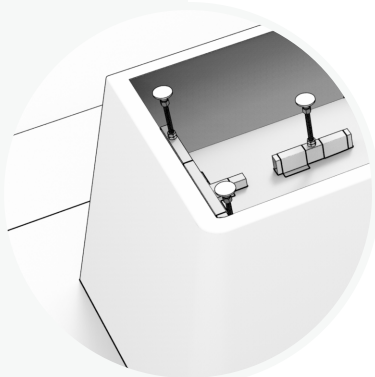
Gallon capacity
58 GAL. imp. (263 L)



2 places



Structural steel support with
five (5) adjustable legs



3.75 inch ledge to install
the faucet on the bathtub

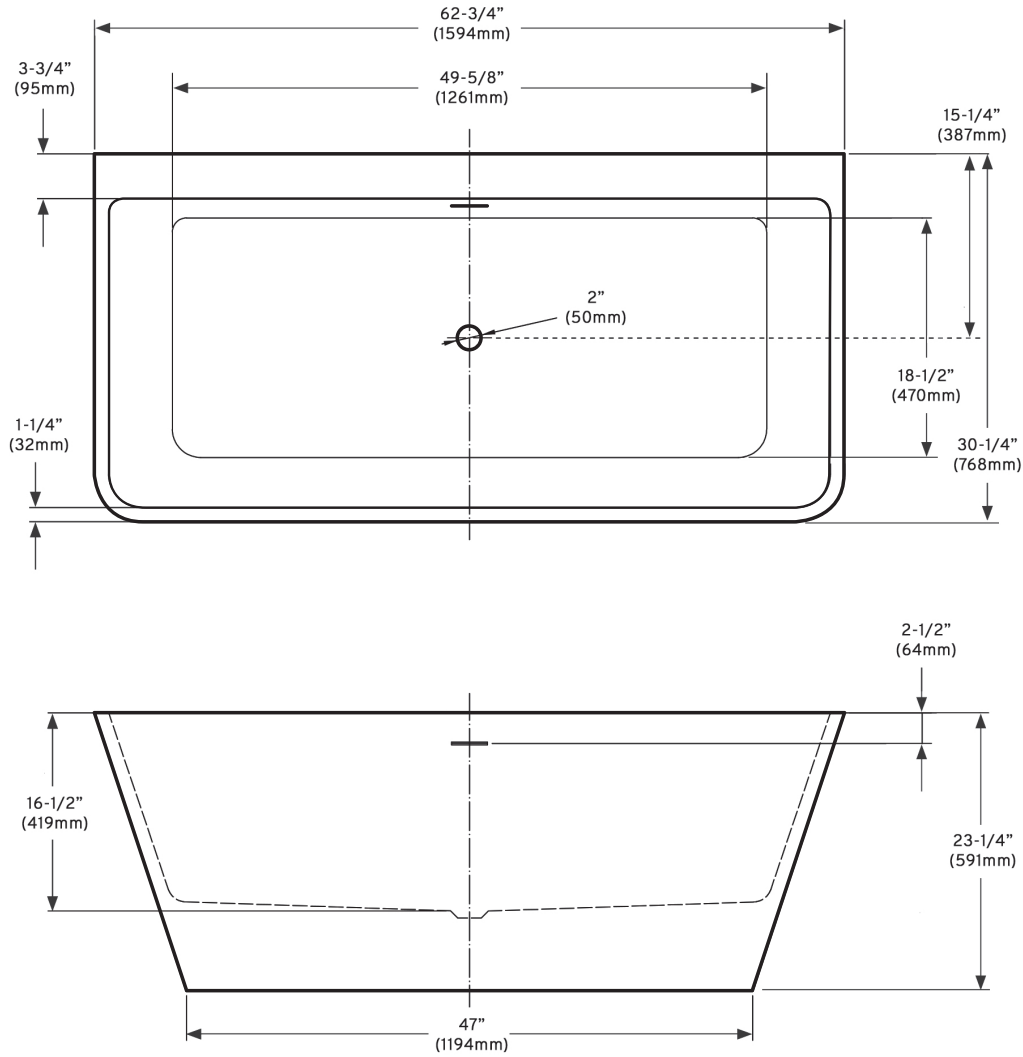


Possibility to install
the faucet on the wall



CALLA | TECHNICAL

62 3/4 in. (1594 mm) X 30 1/4 in. (768 mm) X 23 1/4 in. (591 mm)
CUPC approved



ACRYLIC
BATHTUBS

ORIGAN



The Origan freestanding bathtub will beautify your bathroom with a sleek style. Its clean shape, thin rim and faucet ledge make it an easy to install bathtub with unparalleled maintenance.

ORIGAN | VERSION

Freestanding bathtub with matching drain & overflow depending on the model.



ORIGAN I
OD-6218 | WHITE

OD-6270-SS | CHROME



ORIGAN II
OD-6218-MB | MATTE BLACK & WHITE

OD-6270-MB | MATTE BLACK



*Possibility to choose different drain and overflow finishes (sold separately).
*See page A.00

ORIGAN | SPECIFICATIONS

One piece on integrated steel support with adjustable legs.



Overflow height
15 1/4 in. (394 mm)



Gallon capacity
58 GAL. imp. (263 L)



2 places



Structural steel support with
five (5) adjustable legs



3.75 inch ledge to install
the faucet on the bathtub

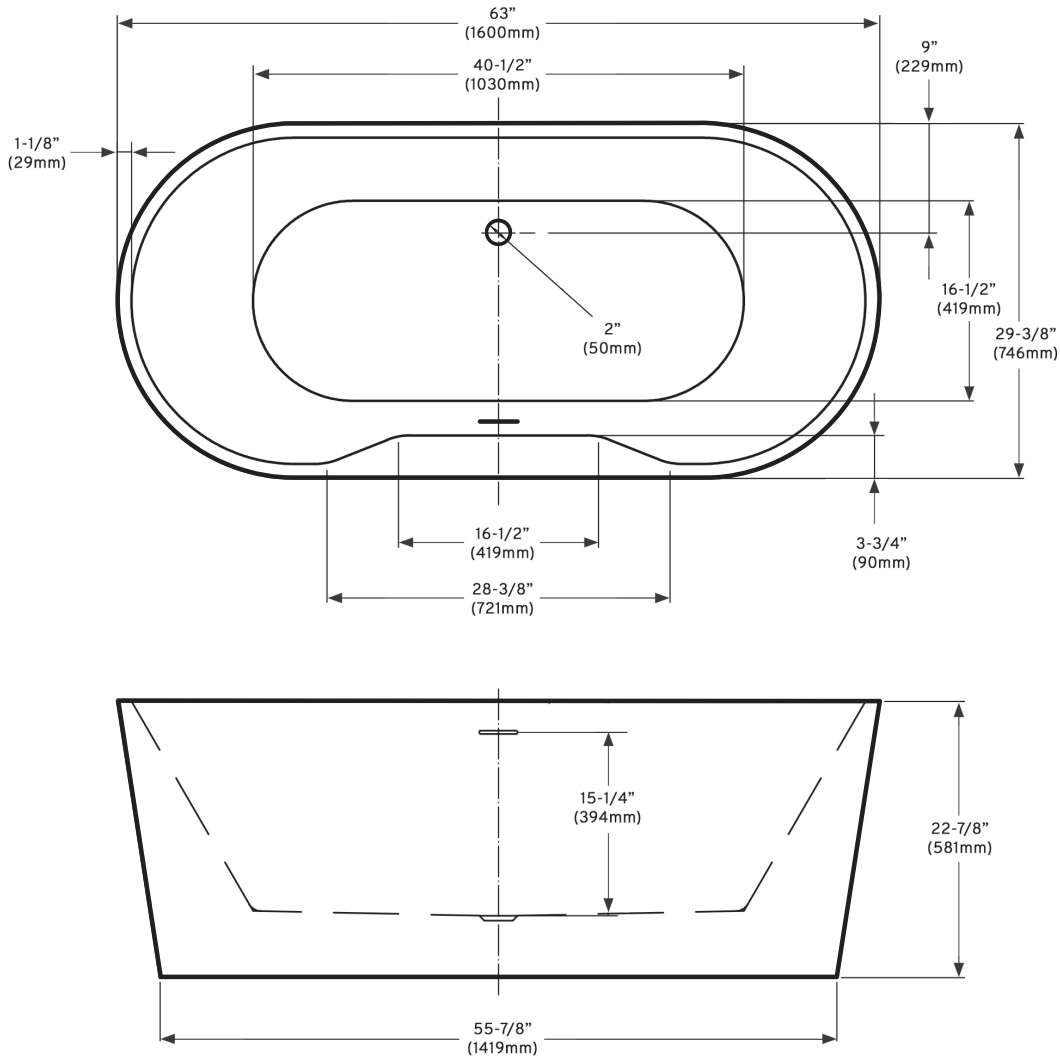


Possibility to install the faucet
directly on the floor



ORIGAN | TECHNICAL

63 in. (1600 mm) X 29 3/8 in. (746 mm) X 22 7/8 in. (581 mm)
CUPC approved



ACRYLIC
BATHTUBS

ORTIE



Ideal for smaller spaces, the freestanding Ortie bathtub combines beauty and comfort with its rounded shape, slightly sloped seats, and perfect soaking depth.

ORTIE | VERSION

Freestanding bathtub with matching drain & overflow depending on the model.



ORTIE I
OD-6219 | WHITE

OD-6270-SS | CHROME



ORTIE II
OD-6219-MB | MATTE BLACK & WHITE

OD-6270-MB | MATTE BLACK



*Possibility to choose different drain and overflow finishes (sold separately).
*See page A.00

ORTIE | SPECIFICATIONS

One piece on integrated steel support with adjustable legs.



Overflow height
14 5/8 in. (372 mm)



Gallon capacity
49 GAL. imp. (225 L)



1 place



Structural steel support with
five (5) adjustable legs



3.75 inch ledge to install
the faucet on the bathtub

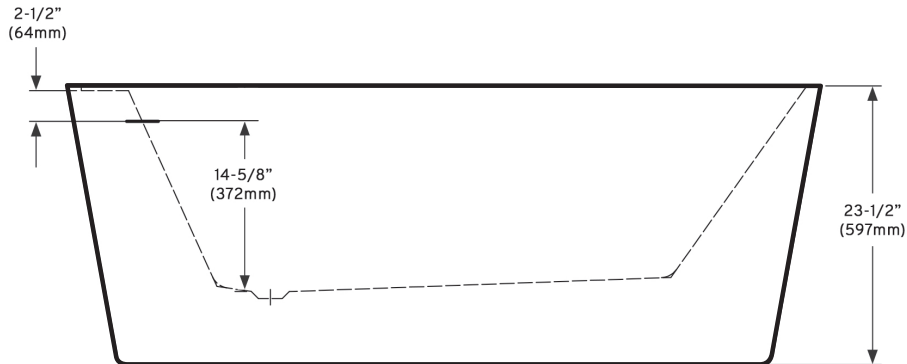
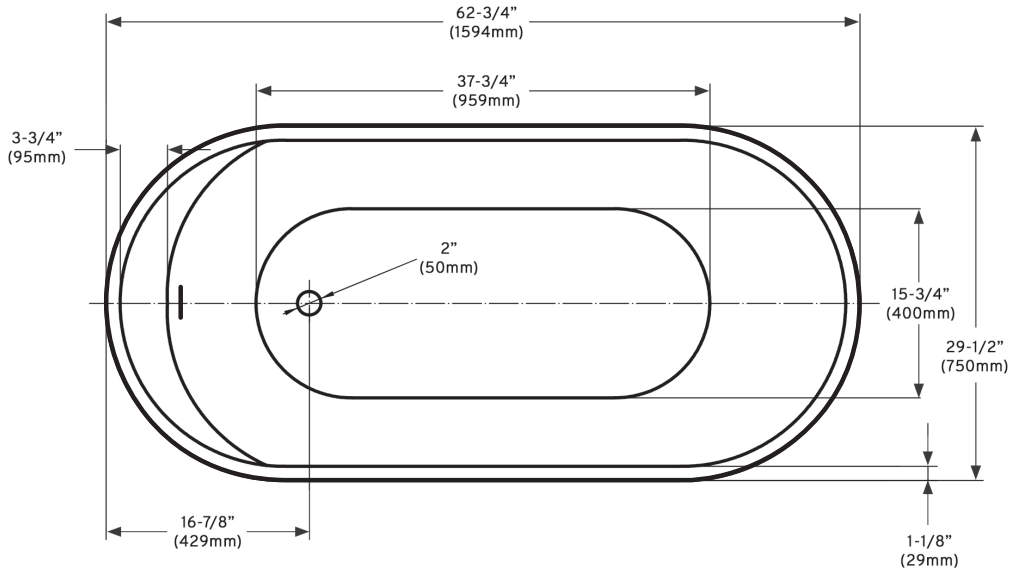


Possibility to install the faucet
directly on the floor



ORTIE | TECHNICAL

62 3/4 in. (1594 mm) X 29 1/2 in. (750 mm) X 23 1/2 in. (597 mm)
CUPC approved



ACRYLIC
BATHTUBS

LYS 59



Freestanding bathtub with matching drain & overflow

*Possibility to choose different drain and overflow finishes (sold separately).
*See page A.00



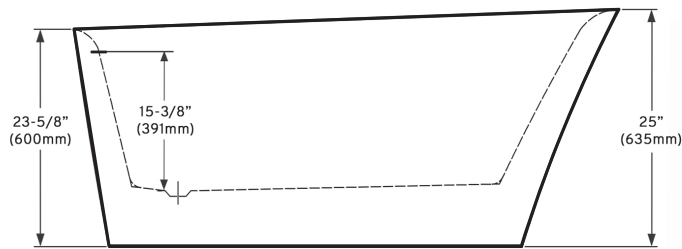
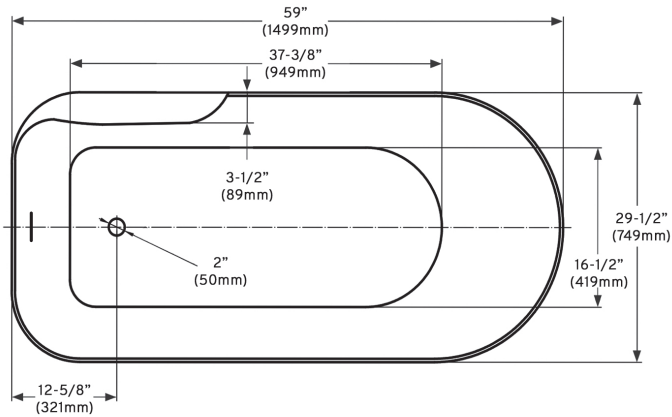
LYS 59
OD-6223 | WHITE

OD-6270-SS | CHROME



LYS 59 | TECHNICAL

59 in. (1499 mm) X 29 1/2 in. (749 mm) X 25 in. (635 mm)
CUPC approved



Overflow height
15 3/8 in. (391 mm)



Gallon capacity
47 GAL. imp. (214 L)



1 place

Structural steel support with
four (4) adjustable legs



3.75 inch ledge to install
the faucet on the bathtub



ACRYLIC
BATHTUBS

LYS 67



Freestanding bathtub with matching drain & overflow

*Possibility to choose different drain and overflow finishes (sold separately).
*See page A.00



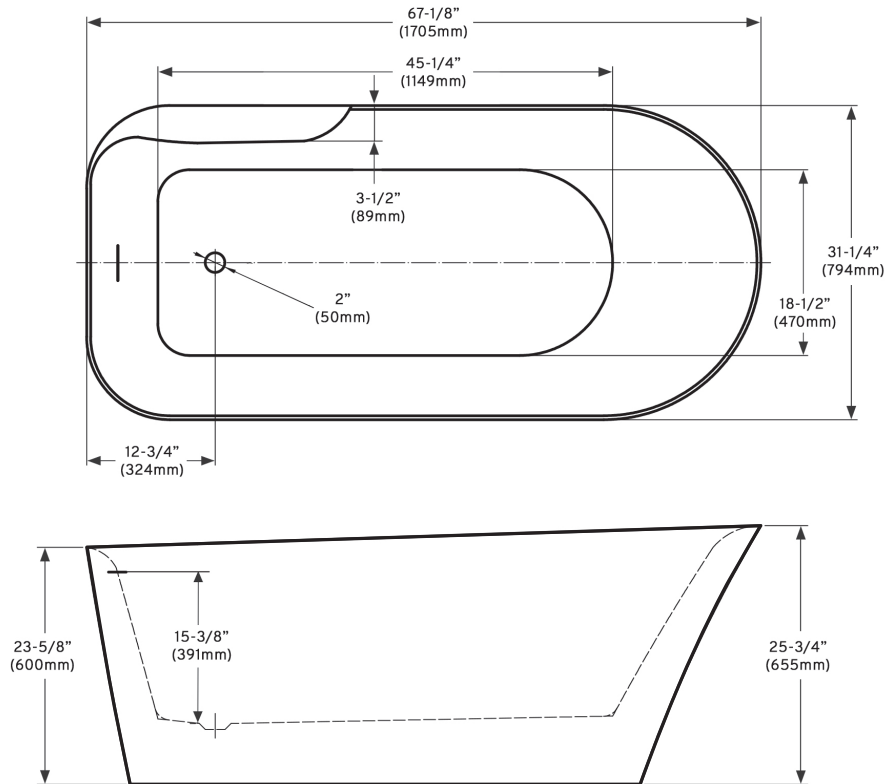
LYS
OD-6220 | WHITE

OD-6270-SS | CHROME



LYS 67 | TECHNICAL

67 1/8 in. (1705 mm) X 31 1/4 in. (794 mm) X 25 3/4 in. (655 mm)
CUPC approved



Overflow height
15 3/8 in. (391 mm)



Gallon capacity
53 GAL. imp. (240 L)



1 place



Structural steel support with
five (5) adjustable legs



Possibility to install the faucet
directly on the floor



3.75 inch ledge to install
the faucet on the bathtub



ACRYLIC
BATHTUBS

THUYA



Freestanding bathtub with matching drain & overflow

*Possibility to choose different drain and overflow finishes (sold separately).
*See page A.00



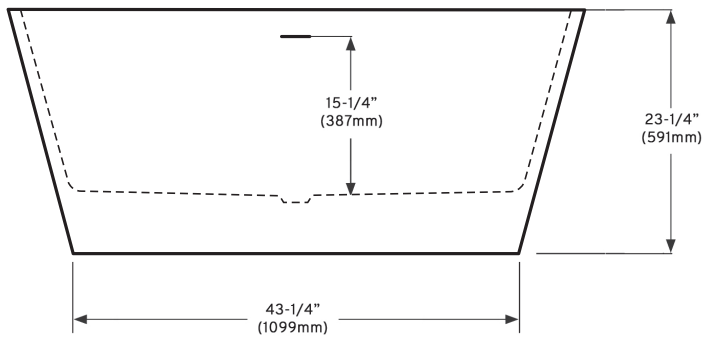
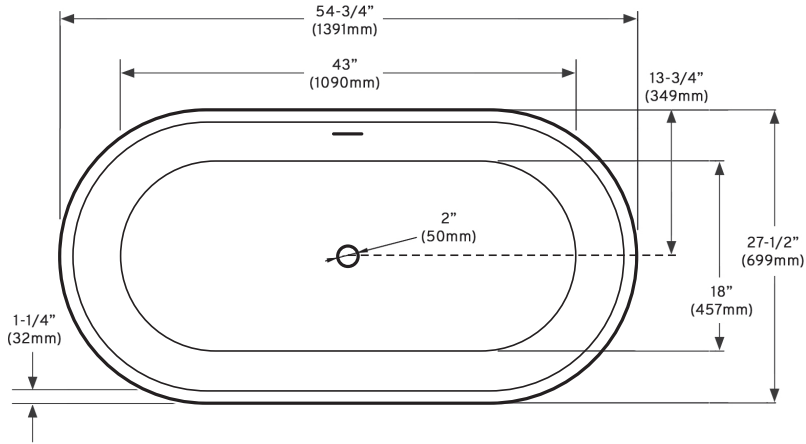
THUYA
OD-6221 | WHITE

OD-6270-SS | CHROME



THUYA | TECHNICAL

54 3/4 in. (1391 mm) X 27 1/2 in. (699 mm) X 23 1/4 in. (591 mm)
CUPC approved



Overflow height
15 1/4 in. (387 mm)



Gallon capacity
53 GAL. imp. (240 L)



1 place

Structural steel support with
four (4) adjustable legs



Possibility to install the faucet
directly on the floor



ACRYLIC
BATHTUBS

MALVA



Freestanding bathtub with matching drain & overflow

*Possibility to choose different drain and overflow finishes (sold separately).
*See page A.00



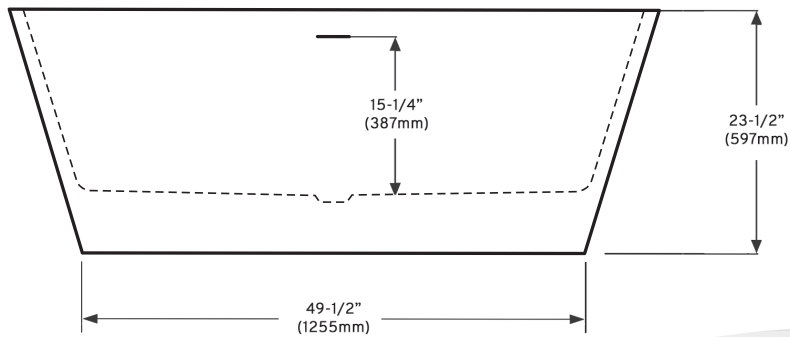
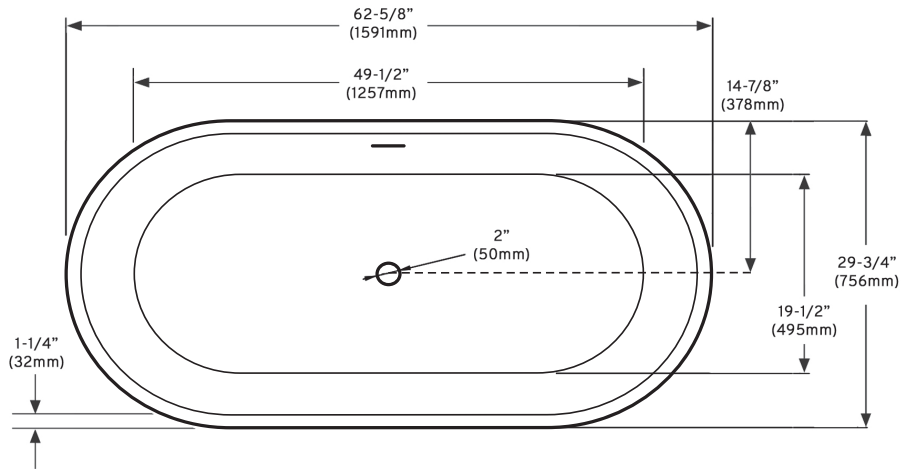
MALVA
OD-6222 | WHITE

OD-6270-SS | CHROME



MALVA | TECHNICAL

62 5/8 in. (1591 mm) X 29 3/4 in. (756 mm) X 23 1/2 in. (597 mm)
CUPC approved



Overflow height
15 1/4 in. (387 mm)



Gallon capacity
62 GAL. imp. (282 L)



2 places

Structural steel support with
four (4) adjustable legs



Possibility to install the faucet
directly on the floor



ACRYLIC
BATHTUBS

ACER



Freestanding bathtub with matching drain & overflow

*Possibility to choose different drain and overflow finishes (sold separately).
*See page A.00



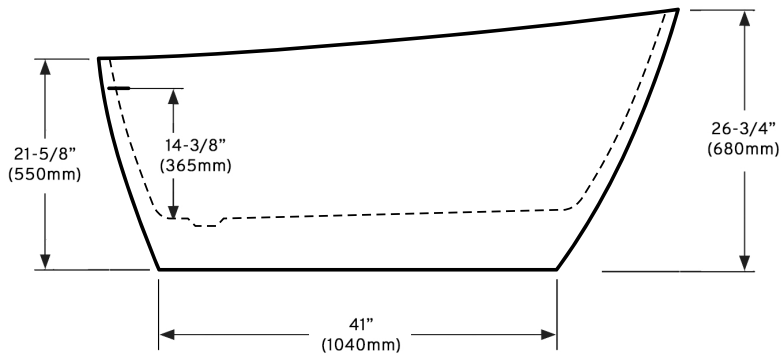
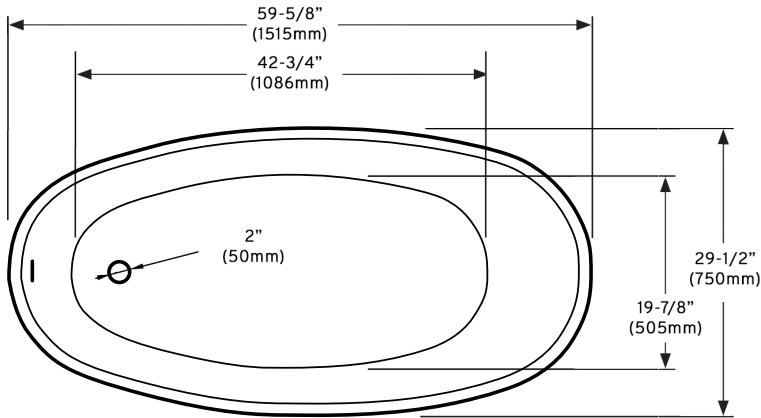
ACER
OD-6224 | WHITE

OD-6270-SS | CHROME



ACER | TECHNICAL

59 5/8 in. (1515 mm) X 29 1/2 in. (750 mm) X 26 3/4 in. (680 mm)
CUPC approved



Overflow height
14 3/8 in. (365 mm)

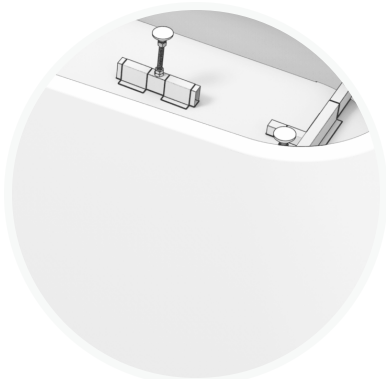


Gallon capacity
66 GAL. imp. (300 L)



1 place

Structural steel support with
five (5) adjustable legs



Possibility to install the faucet
directly on the floor



ACRYLIC
BATHTUBS

ALBA



Freestanding bathtub with matching drain & overflow

*Available with overflow and drain to the left or right

*Possibility to choose different drain and overflow finishes (sold separately).

*See page A.00



ALBA I - L
OD-6240L | WHITE

OD-6270-SS | CHROME



ALBA I - R
OD-6240R | WHITE



ALBA II - L
OD-6240L-BW | MATTE BLACK & WHITE

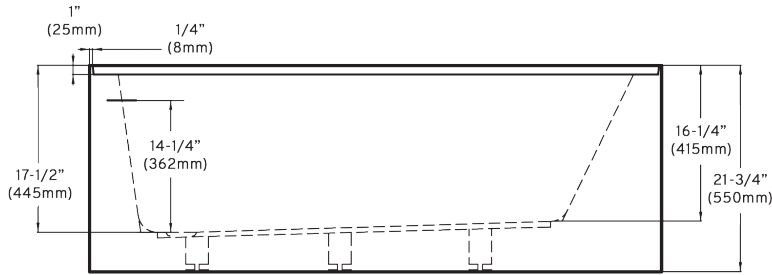
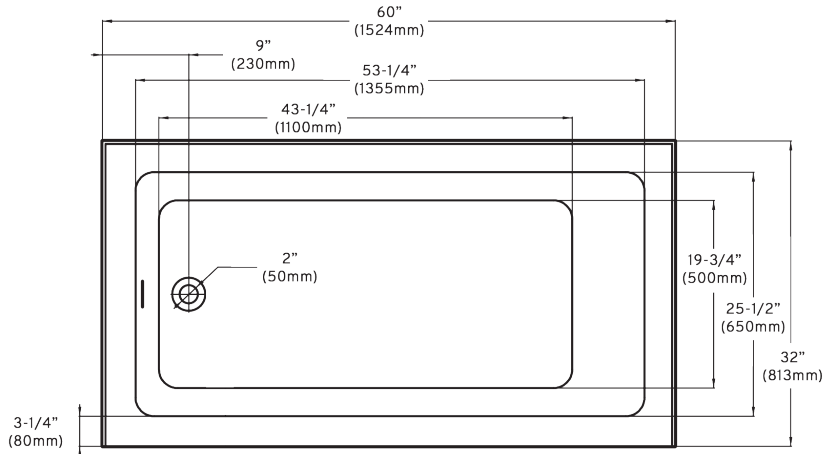
OD-6270-MB | MAT BLACK



ALBA II - R
OD-6240R-BW | MATTE BLACK & WHITE

ALBA | TECHNICAL

60 in. (1524 mm) X 32 in. (813 mm) X 21 3/4 in. (550 mm)
CUPC approved



Overflow height
14 1/4 in. (362 mm)



Gallon capacity
58 GAL. imp. (263 L)

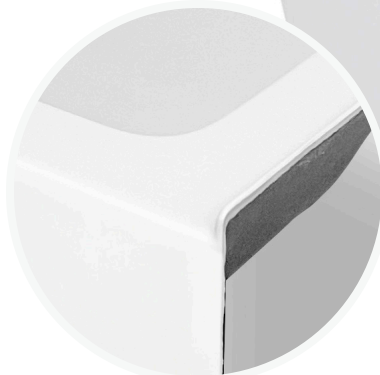


1 place

Structural steel support with
five (5) adjustable legs



Tiling flange on the
three sides of the bathtub



DRAINS

Bathtub accessory kits in different finishes (sold separately)
*Contains (1) drain, (1) round overflow, and (1) rectangular overflow.



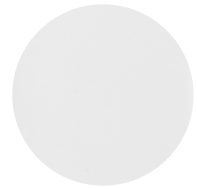
DRAIN & OVERFLOW
OD-6270-SS | CHROME



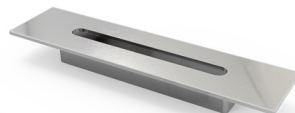
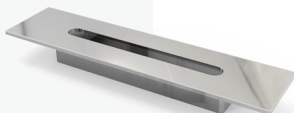
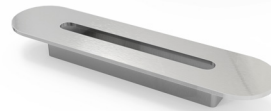
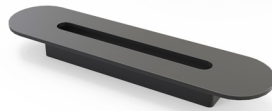
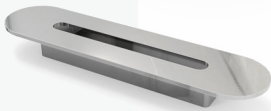
DRAIN & OVERFLOW
OD-6270-MB | MATTE BLACK



DRAIN & OVERFLOW
OD-6270-BR | BRUSHED

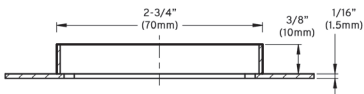
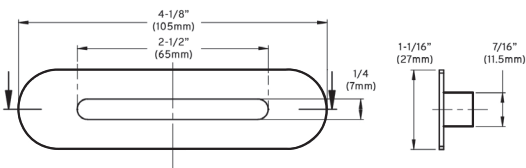
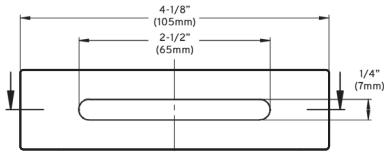
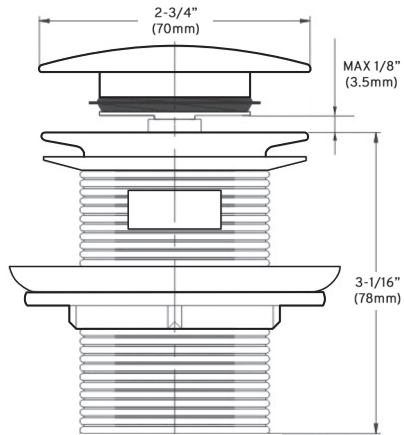
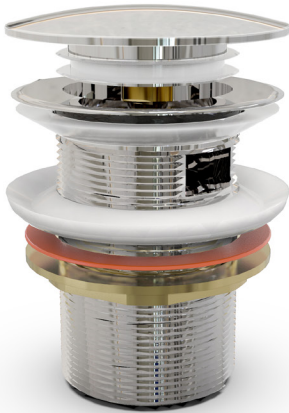


DRAIN & OVERFLOW
OD-6270-WH | MATTE WHITE



DRAINS | TECHNICAL

Cover diameter : 2 3/4 in. (70 mm)
CUPC approved



A close-up photograph of a hand holding a towel warmer. The warmer consists of a vertical wooden handle and several horizontal metal bars. The background is a blurred white surface, possibly a wall or a cabinet. The lighting is soft and even.

B. TOWEL WARMERS



Odass' towel warmers use tungsten heating wire technology with intensity levels controlled by a programming screen to set the proper temperature and drying time.

The performance of the range will allow you to heat and dry your towels as you leave the shower to retain their freshness by quickly eliminating moisture.

TOWEL
WARMERS

KONY



The Kony towel-warmer rack fits into any bathroom easily thanks to its compact size and sleek design. Very quiet, it can warm one or two towels at a time.

KONY | VERSION

Square profile model available in chrome, brushed or carbon powder coated stainless steel.



KONY I
OD-0604-SS | CHROME



KONY II
OD-0604-MB | MATTE BLACK



KONY III
OD-0604-BR | BRUSHED



KONY IV
OD-0604-MW | MATTE WHITE

KONY | SPECIFICATIONS

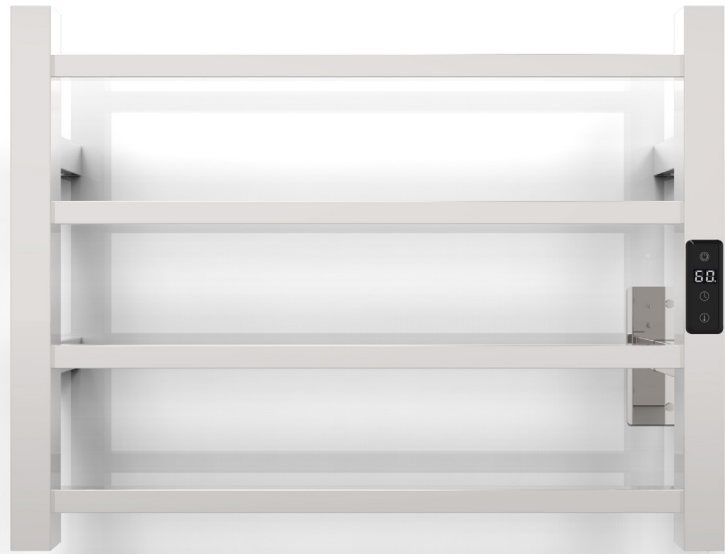
4-bar crossbar stand with built-in screen for time and temperature programming.
Simple assembly and wall installation.



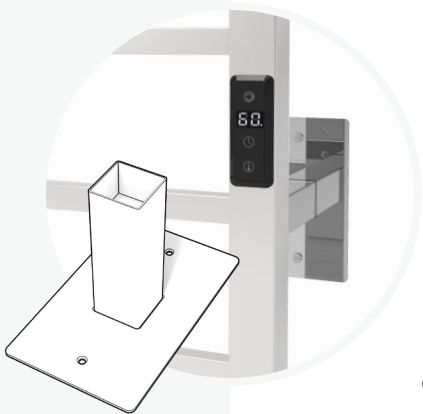
Temperature reached :
less than 15 minutes

Programmable time :
1 to 8 hours and continuous

Programmable temperature :
30°C to 60°C (86°F to 140°F)



Installation with integrated
wall plate and hidden wire



Installation with visible
1.7m wire and plug



Two (2) hooks included
with the towel warmer

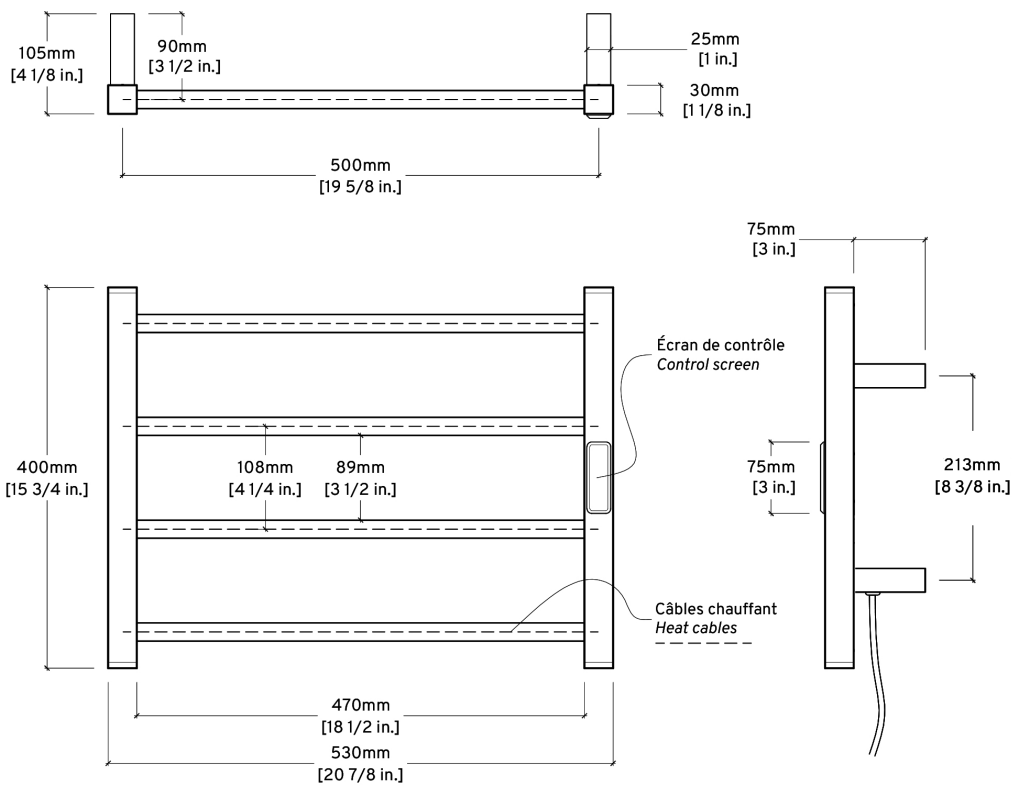


KONY | TECHNICAL

20 7/8 in. (530 mm) X 15 3/4 in. (400 mm) X 4 1/8 in. (105 mm)

AC 120V - 65W - 60Hz (OD-0604-SS & BR)
AC 120V - 80W - 60Hz (OD-0604-MB & MW)

Protection rating : IP 44
Weight : 4 lb (1.9 kg)
ETL certified



TOWEL
WARMERS

MALTE



The Malte towel-warmer rack is easy to combine with bathroom accessories thanks to its subtle design with round tube. Quiet and compact, it can warm one or two towels at a time.

MALTE | VERSION

Round profile model available in chrome, brushed or carbon powder coated stainless steel



MALTE I
OD-0704-SS | CHROME



MALTE II
OD-0704-MB | MATTE BLACK



MALTE III
OD-0704-BR | BRUSHED



MALTE IV
OD-0704-MW | MATTE WHITE

MALTE | SPECIFICATIONS

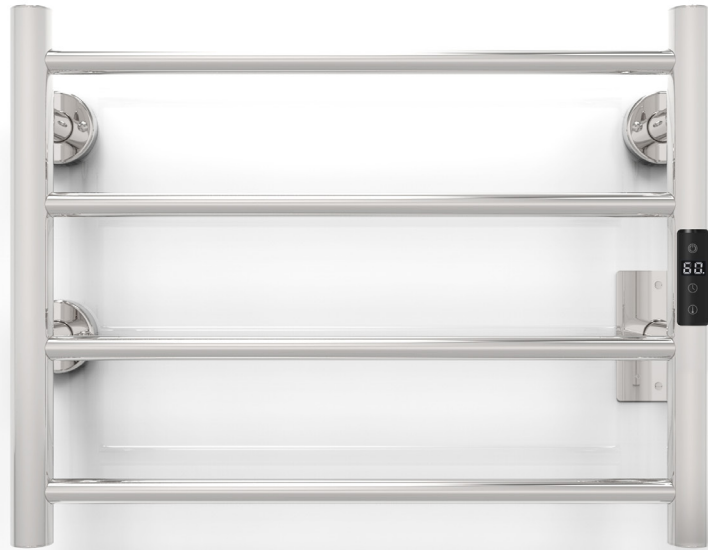
4-bar crossbar stand with built-in screen for time and temperature programming.
Simple assembly and wall installation.



Temperature reached :
less than 15 minutes

Programmable time :
1 to 8 hours and continuous

Programmable temperature :
30°C to 60°C (86°F to 140°F)



Installation with integrated wall plate and hidden wire



Installation with visible 1.7m wire and plug

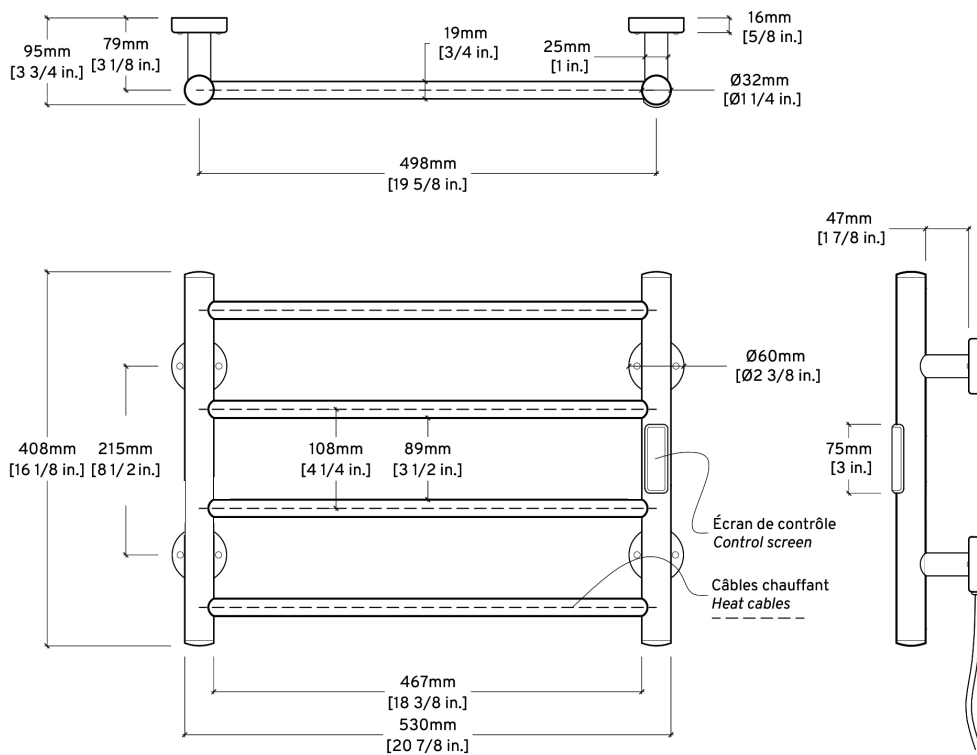


MALTE | TECHNICAL

20 7/8 in. (530 mm) X 16 1/8 in. (408 mm) X 3 3/4 in. (95 mm)

AC 120V - 65W - 60Hz (OD-0704-SS & BR)
AC 120V - 80W - 60Hz (OD-0704-MB & MW)

Protection rating : IP 44
Weight : 4 lb (1.9 kg)
ETL certified



TOWEL
WARMERS

SYMPHONY



The Symphony towel-warmer rack offers a versatile surface for hanging towels thanks to its large number of bars and its high shelf. Quiet, it can warm more than five (5) towels at a time.

SYMPHONY | VERSION

Round profile model available in chrome, brushed or carbon powder coated stainless steel



SYMPHONY I
OD-0810-SS | CHROME



SYMPHONY II
OD-0810-MB | MATTE BLACK



SYMPHONY III
OD-0810-BR | BRUSHED



SYMPHONY IV
OD-0810-MW | MATTE WHITE

SYMPHONY | SPECIFICATIONS

9-bar crossbar stand with 5-bar shelf and built-in screen for time and temperature programming. Simple assembly and wall installation.



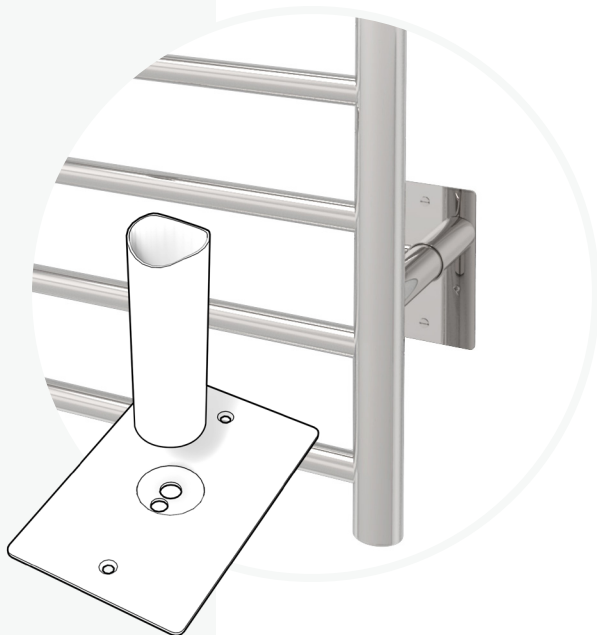
Temperature reached :
less than 15 minutes

Programmable time :
1 to 8 hours and continuous

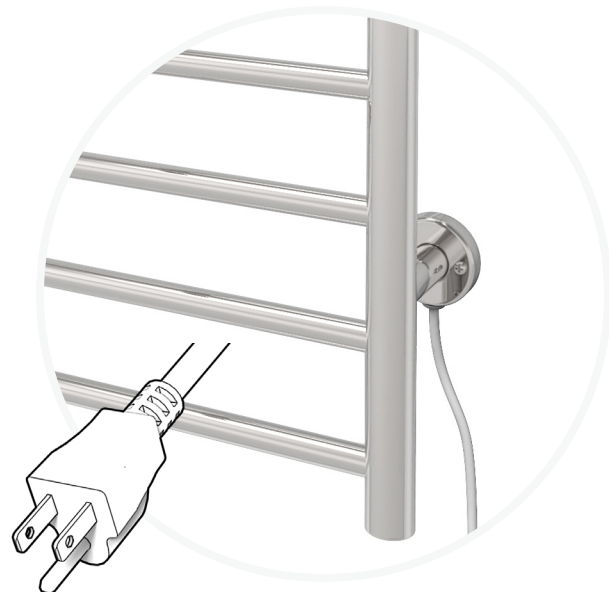
Programmable temperature :
30°C to 60°C (86°F to 140°F)



Installation with integrated wall plate and hidden wire



Installation with visible 1.7m wire and plug

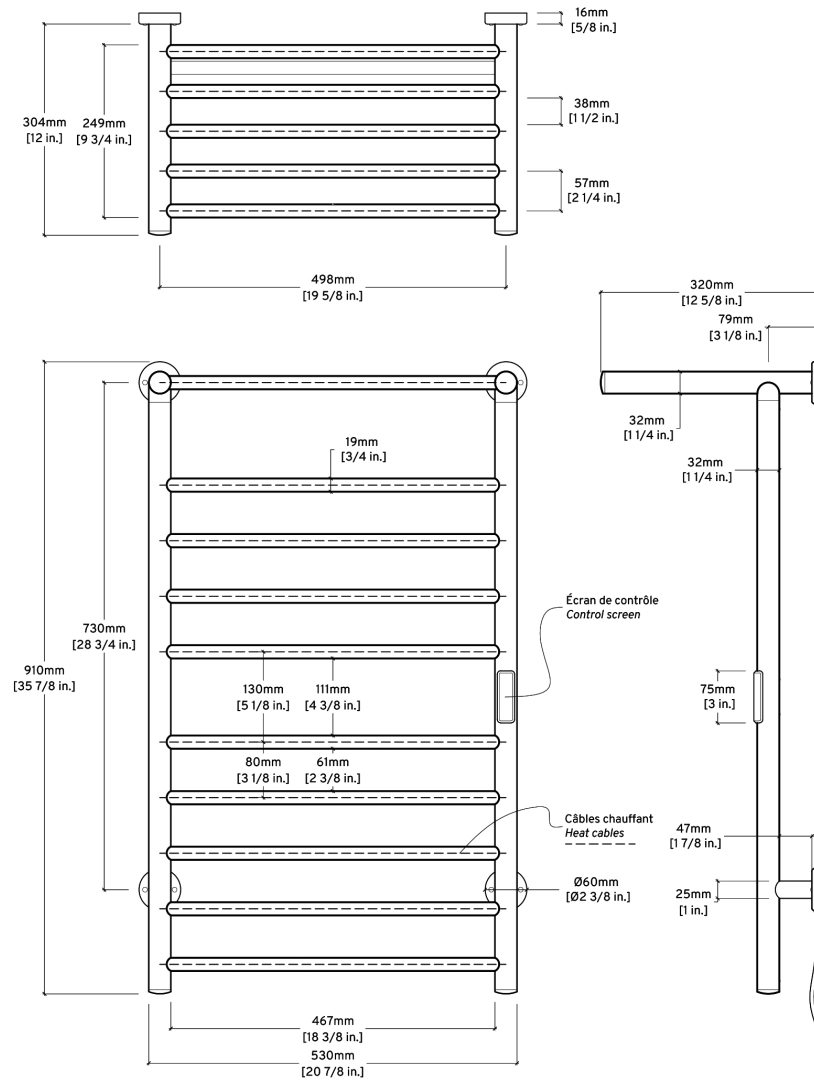


SYMPHONY | TECHNICAL

20 7/8 in. (530 mm) X 35 7/8 in. (910 mm) X 12 5/8 in. (320 mm)

AC 120V - 180W - 60Hz (OD-0810-SS & BR)
 AC 120V - 240W - 60Hz (OD-0810-MB & MW)

Protection rating : IP 44
 Weight : 9 lb (4.5 kg)
 ETL certified



TOWEL
WARMERS

WAVE



The classic Wave towel-warmer rack offers ample clearance for thicker towels with its curved bars. It is quiet and can warm two (2) to four (4) towels at a time.

WAVE | VERSION

Round profile model available in chrome, brushed or carbon powder coated stainless steel



WAVE | SPECIFICATIONS

10-bar curved crossbar stand with built-in screen for time and temperature programming.
Simple assembly and wall installation.



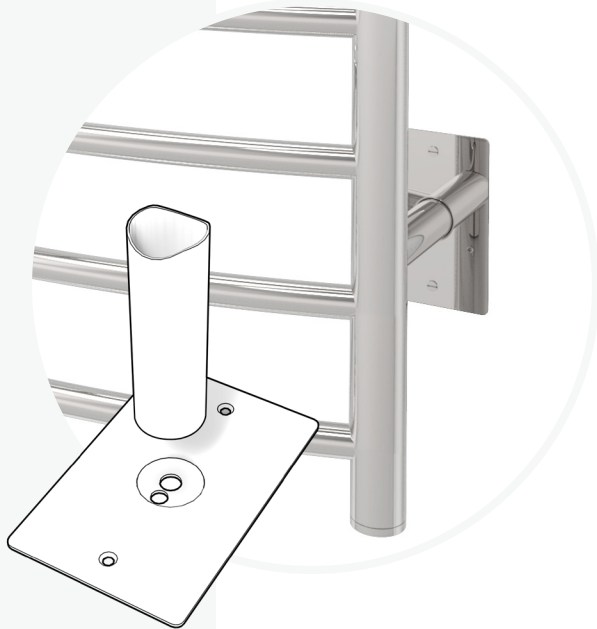
Temperature reached :
less than 15 minutes

Programmable time :
1 to 8 hours and continuous

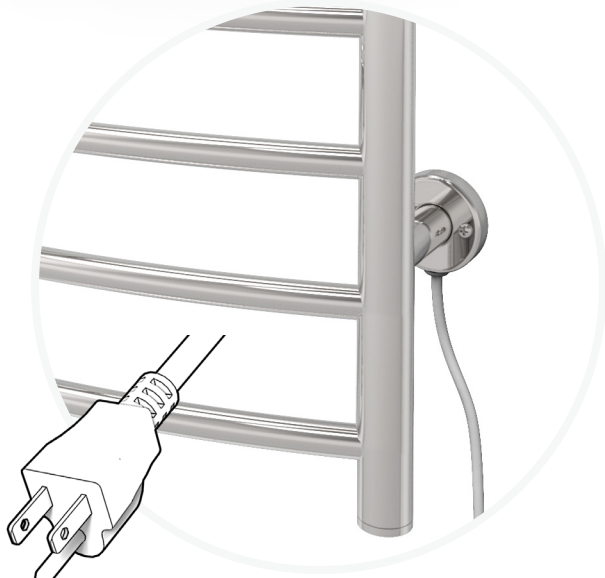
Programmable temperature :
30°C to 60°C (86°F to 140°F)



Installation with integrated wall plate and hidden wire



Installation with visible 1.7m wire and plug

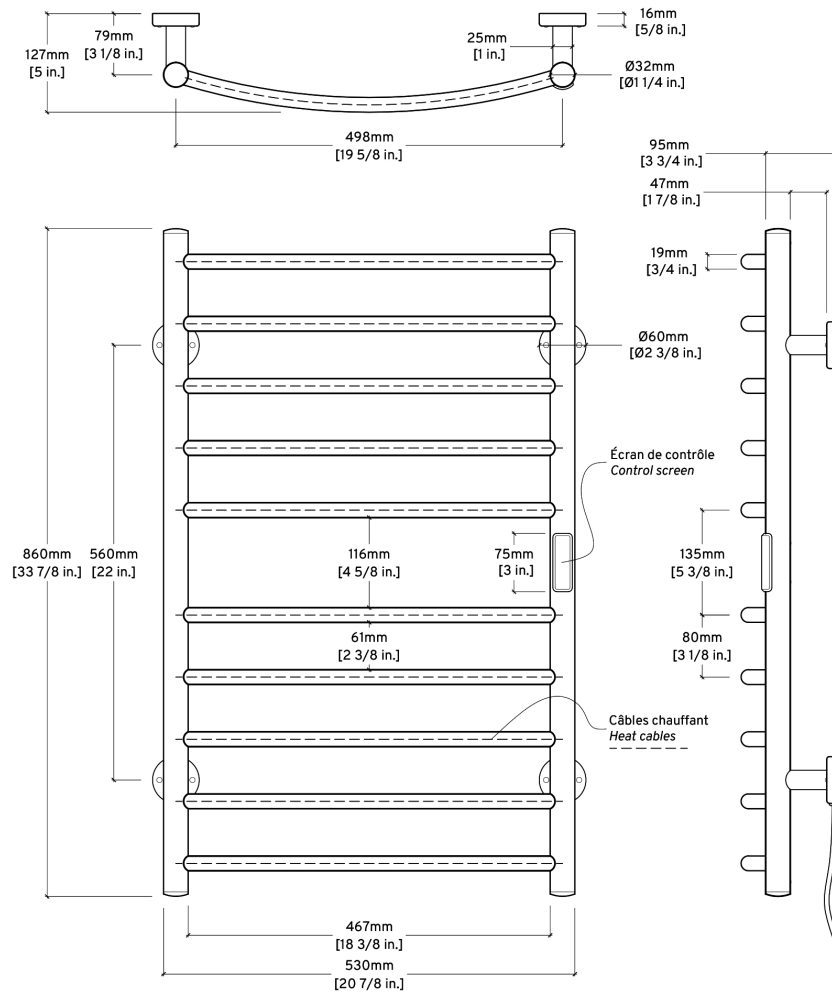


WAVE | TECHNICAL

20 7/8 in. (530 mm) X 33 7/8 in. (860 mm) X 5 in. (127 mm)

AC 120V - 145W - 60Hz (OD-0910-SS & BR)
 AC 120V - 180W - 60Hz (OD-0910-MB & MW)

Protection rating : IP 44
 Weight : 7 lb (3.6 kg)
 ETL certified



TOWEL
WARMERS

ROCK



The Rock towel-warmer rack is the ideal choice for your bathroom thanks to its simple installation and high performance format. It is quiet and can warm two (2) to four (4) towels at a time.

ROCK | VERSION

Square profile model available in chrome, brushed or carbon powder coated stainless steel.



ROCK | SPECIFICATIONS

10-bar crossbar stand with built-in screen for time and temperature programming. Simple assembly and wall installation.



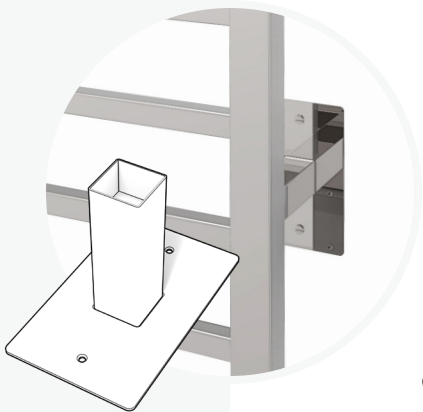
Temperature reached :
less than 15 minutes

Programmable time :
1 to 8 hours and continuous

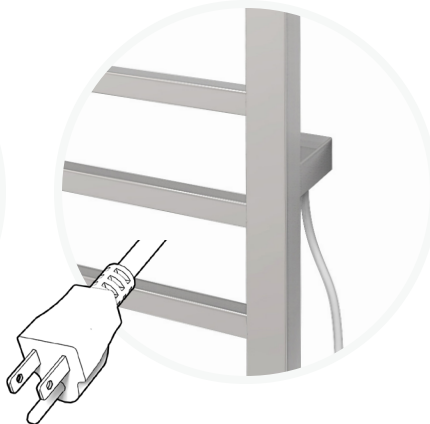
Programmable temperature :
30°C to 60°C (86°F to 140°F)



Installation with integrated
wall plate and hidden wire



Installation with visible
1.7m wire and plug



Two (2) hooks included
with the towel warmer



ROCK | TECHNICAL

20 7/8 in. (530 mm) X 33 7/8 in. (860 mm) X 4 1/8 in. (105 mm)

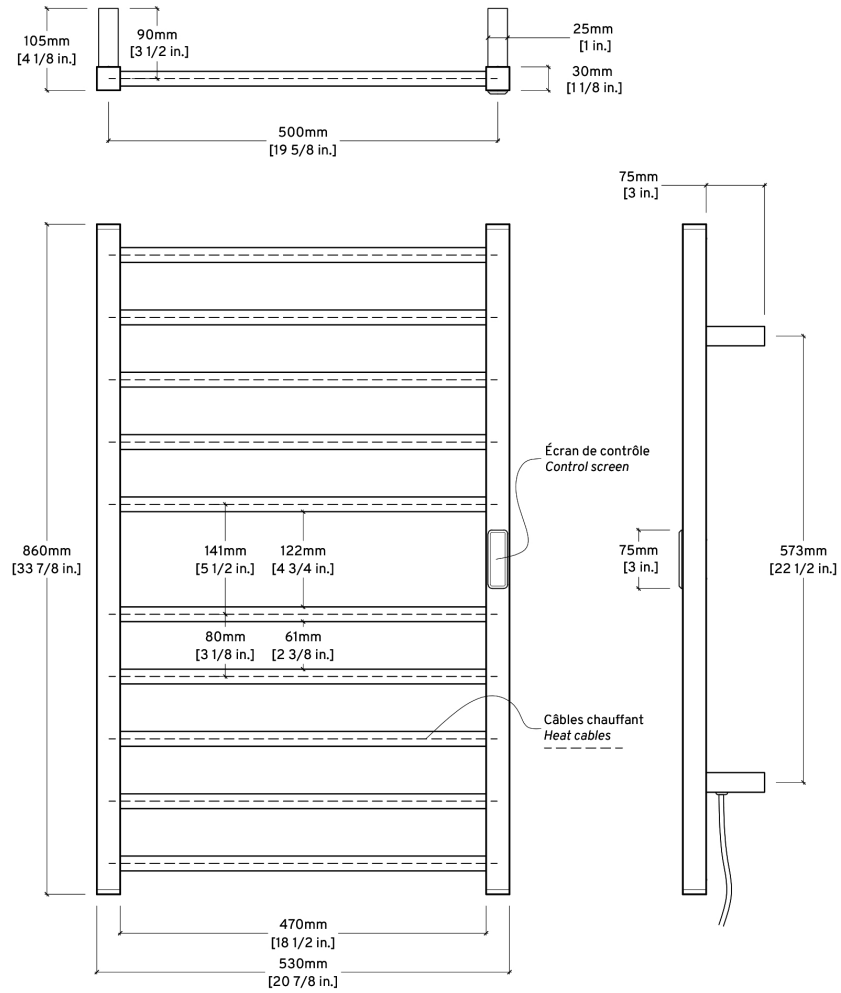
AC 120V - 145W - 60Hz (OD-1010-SS & BR)

AC 120V - 180W - 60Hz (OD-1010-MB & MW)

Protection rating : IP 44

Weight : 7 lb (3.6 kg)

ETL certified



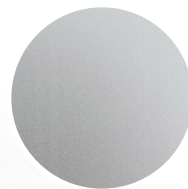
TOWEL
WARMERS

GARDEN



The Garden towel-warmer rack is the ultimate versatile choice with two simple assembly options such as freestanding or wall-mounted.

The six (6) crossbar model is made of aluminum parts with a built-in screen for time and temperature programming.



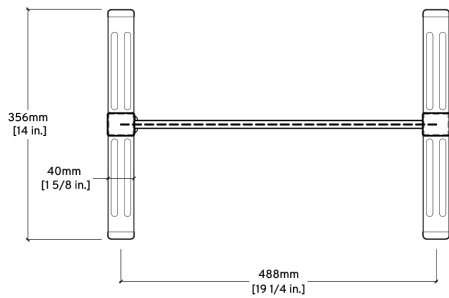
GARDEN
OD-1106-AL | ALUMINUM

GARDEN | TECHNICAL

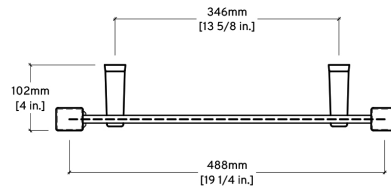
Freestanding : 20 3/4 in. (526 mm) X 35 5/8 in. (906 mm) X 14 in. (356 mm)
 Wall-mounted : 20 3/4 in. (526 mm) X 34 in. (864 mm) X 4 in. (102 mm)

AC 120V - 130W - 60Hz

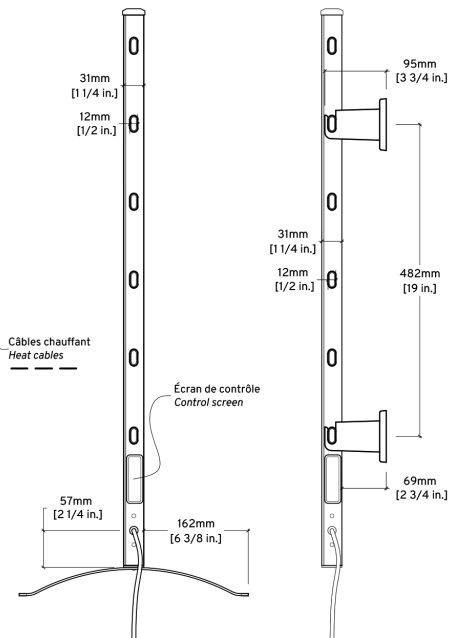
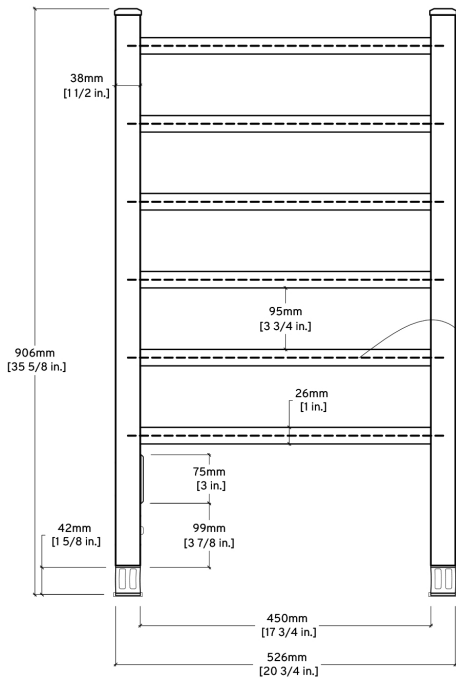
Protection rating : IP 44
 Weight : 4 lb (1.9 kg)
 ETL certified



*Version sur pieds - Freestanding



*Version murale - Wall mounted



C. WALL-MOUNTED NICHEs





Odass' stainless steel wall-mounted niches provide convenient storage space with a clean and simple design. Its angled steel sides allow an efficient drainage of liquids.

The wall-mounted niches can be installed in a shower as well as in any other space of a house thanks to its standardized dimensions allowing the niche to be recessed between the studs of a typical wall.

WALL-MOUNTED
NICHES

SONNA



Designed with no visible welds and durable rust resistance.
Available in brushed or carbon powder coated finish.



SONNA I
OD-3030-BR | BRUSHED



SONNA II
OD-3030-MB | MATTE BLACK

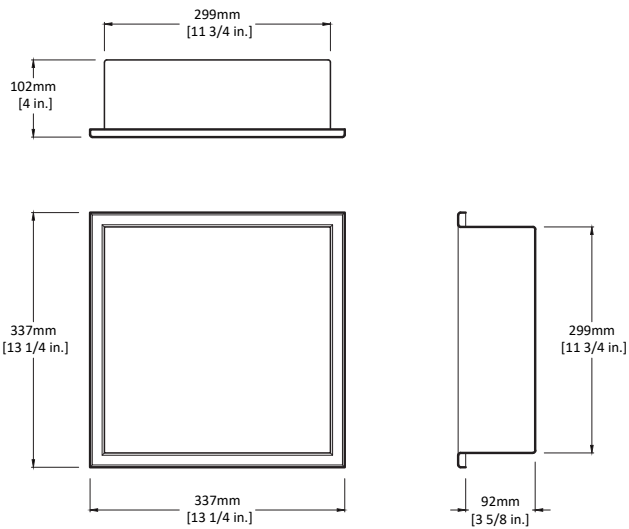


SONNA III
OD-3030-MW | MATTE WHITE

SONNA | TECHNICAL

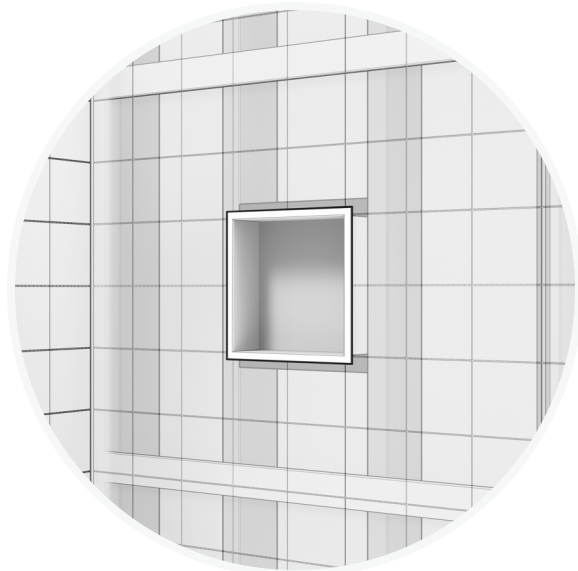
13 1/4 in. (337 mm) X 13 1/4 in. (337 mm) X 4 in. (102 mm)

Weight : 3.7 lb (1.7 kg)
CUPC approved



Made of 18 gauge 304 stainless steel folded with integrated drainage slope on all four (4) walls.

Standard recessed installation between studs of a wall built with typical spacings



Horizontal and/or vertical options for multiple design integration



WALL-MOUNTED
NICHES

SINNI



Designed with no visible welds and durable rust resistance.
Available in brushed or carbon powder coated finish.



SINNI I
OD-3040-BR | BRUSHED



SINNI II
OD-3040-MB | MATTE BLACK

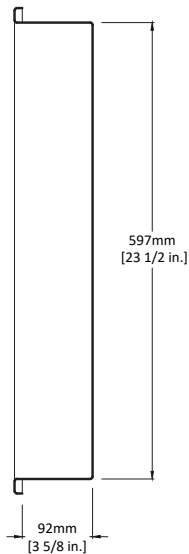
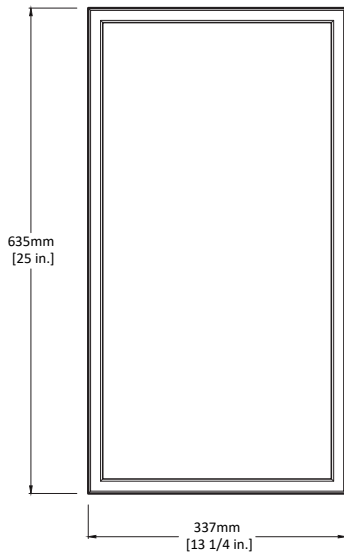
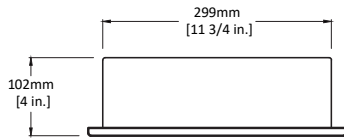


SINNI III
OD-3040-MW | MATTE WHITE

SINNI | TECHNICAL

25 in. (635 mm) X 13 1/4 in. (337 mm) X 4 in. (102 mm)

Weight : 6.5 lb (3 kg)
CUPC approved



Made of 18 gauge 304 stainless steel folded with integrated drainage slope on all four (4) walls.

Standard recessed installation between studs of a wall built with typical spacings



Horizontal and/or vertical options for multiple design integration



WALL-MOUNTED
NICHES

MISA



Designed with no visible welds and durable rust resistance.
Available in brushed or carbon powder coated finish.



MISA I
OD-3050-BR | BRUSHED



MISA II
OD-3050-MB | MATTE BLACK

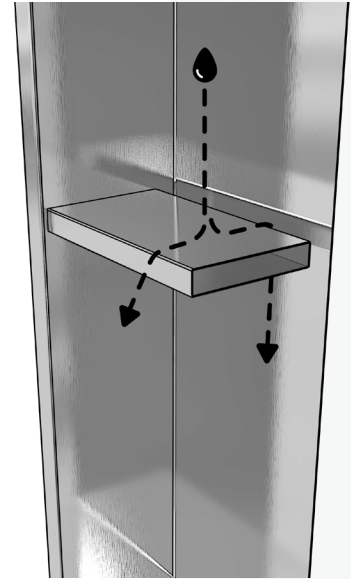
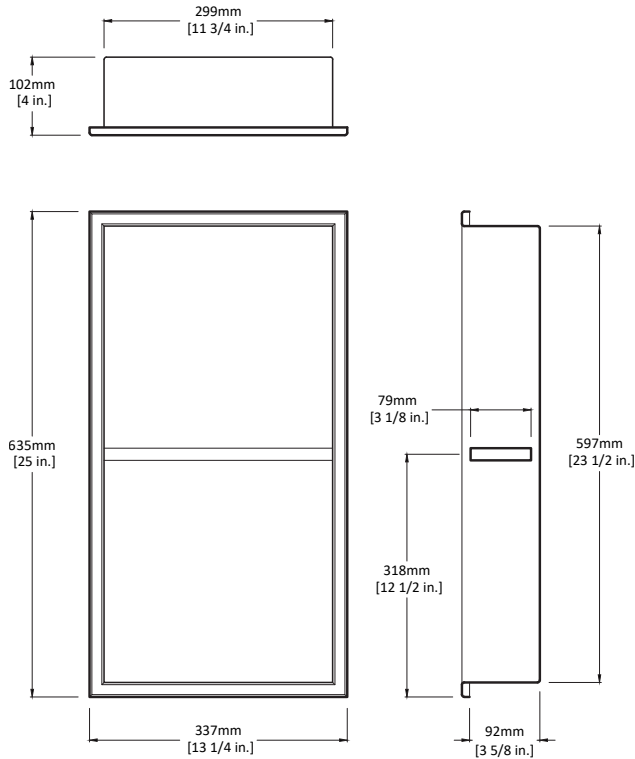


MISA III
OD-3050-MW | MATTE WHITE

MISA | TECHNICAL

25 in. (635 mm) X 13 1/4 in. (337 mm) X 4 in. (102 mm)

Weight : 7.2 lb (3.3 kg)
CUPC approved



Made of 18 gauge 304 stainless steel with a floating central shelf to eliminate water accumulation.

Standard recessed installation between studs of a wall built with typical spacings



Horizontal and/or vertical options for multiple design integration



WALL-MOUNTED
NICHES

ASO



Designed with no visible welds and durable rust resistance.
Available in brushed or carbon powder coated finish.



ASO I
OD-3060-BR | BRUSHED



ASO II
OD-3060-MB | MATTE BLACK

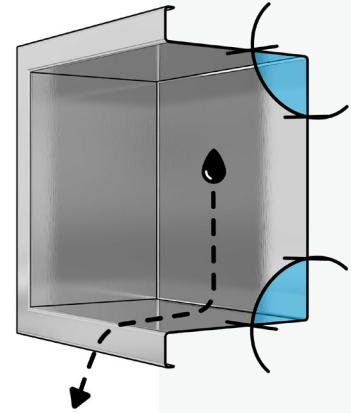
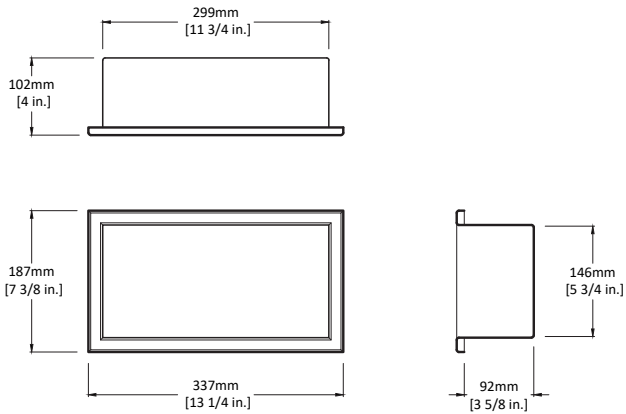


ASO III
OD-3060-MW | MATTE WHITE

ASO | TECHNICAL

13 1/4 in. (337 mm) X 7 3/8 in. (187 mm) X 4 in. (102 mm)

Weight : 2.6 lb (1.2 kg)
CUPC approved



Made of 18 gauge 304 stainless steel folded with integrated drainage slope on all four (4) walls.

Standard recessed installation between studs of a wall built with typical spacings



Horizontal and/or vertical options for multiple design integration



WALL-MOUNTED
NICHES

STELLA



Designed with no visible welds and durable rust resistance.
Available in brushed or carbon powder coated finish.



STELLA I

OD-3070-BR | BRUSHED



STELLA II

OD-3070-MB | MATTE BLACK



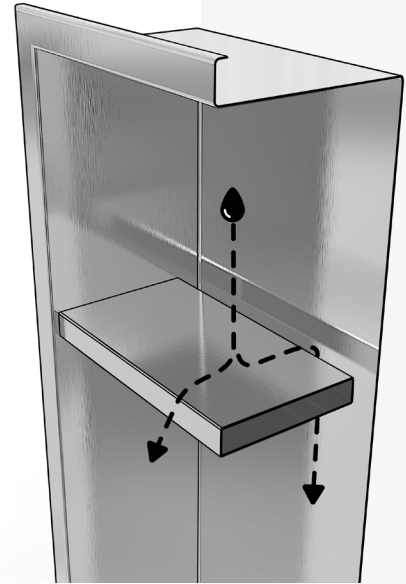
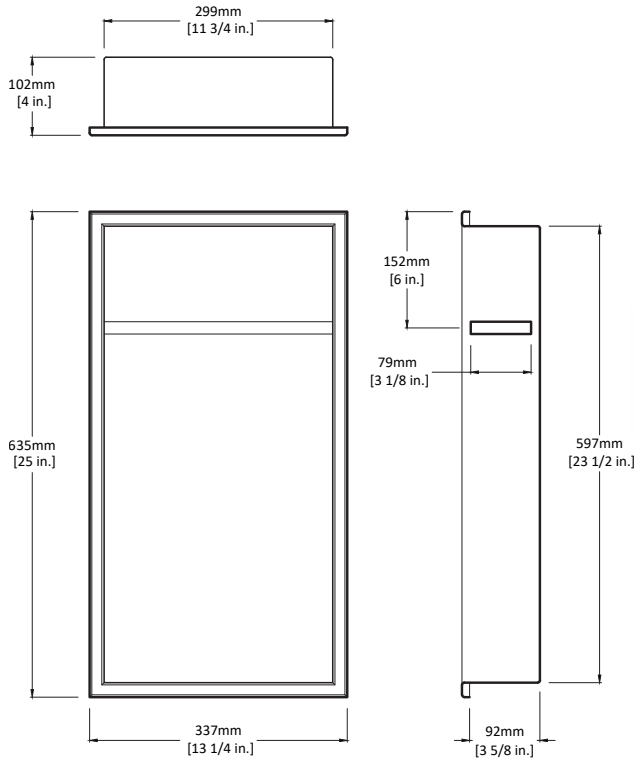
STELLA III

OD-3070-MW | MATTE WHITE

STELLA | TECHNICAL

25 in. (635 mm) X 13 1/4 in. (337 mm) X 4 in. (102 mm)

Weight : 7.2 lb (3.3 kg)
CUPC approved



Made of 18 gauge 304 stainless steel with a floating upper shelf to eliminate water accumulation.

Standard recessed installation between studs of a wall built with typical spacings



Horizontal and/or vertical options for multiple design integration



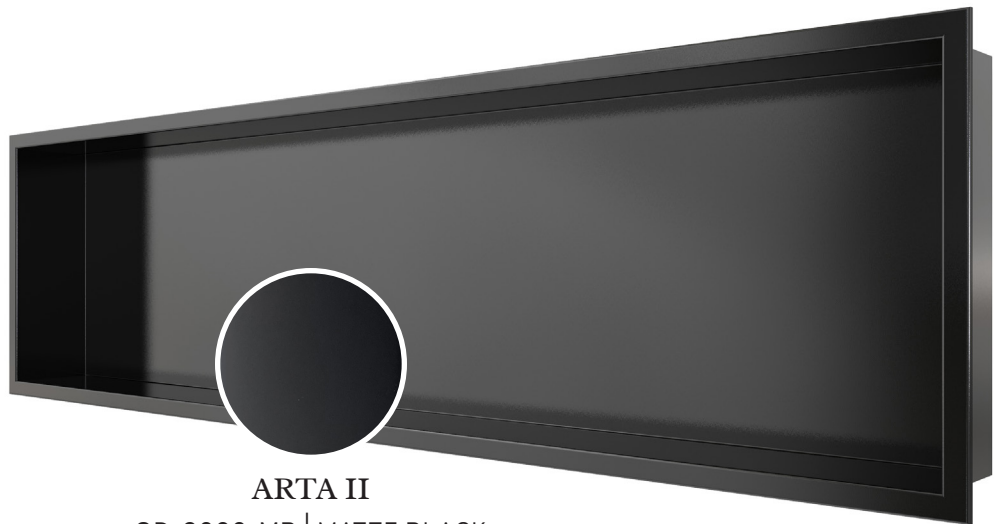
WALL-MOUNTED
NICHES

ARTA

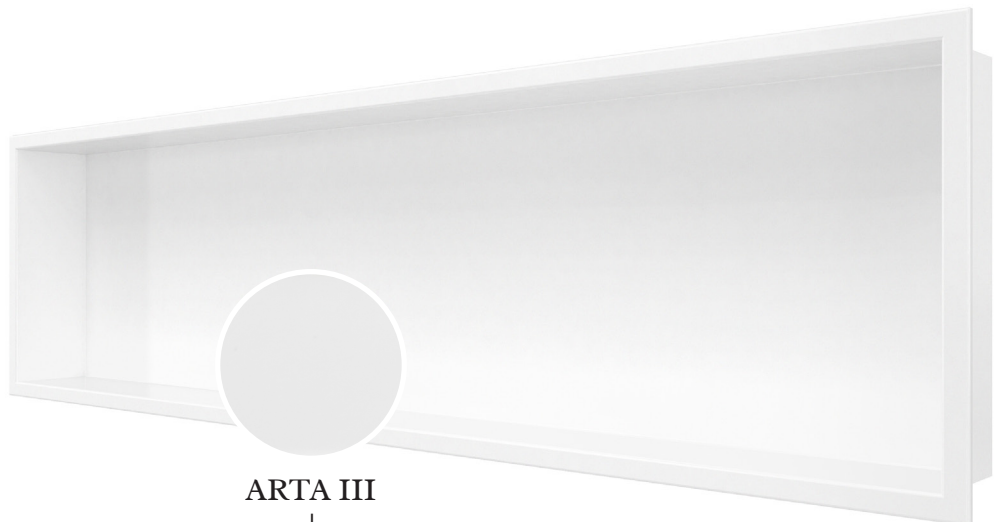


ARTA I
OD-3080-BR | BRUSHED

Designed with no visible welds and durable rust resistance.
Available in brushed or carbon powder coated finish.



ARTA II
OD-3080-MB | MATTE BLACK

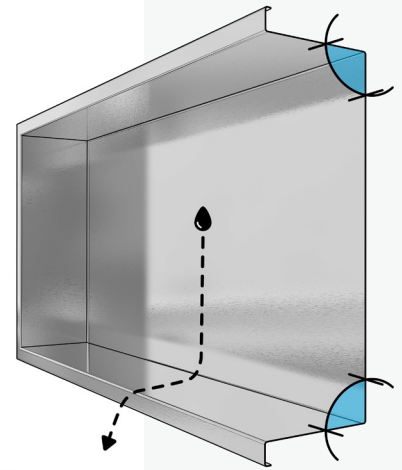
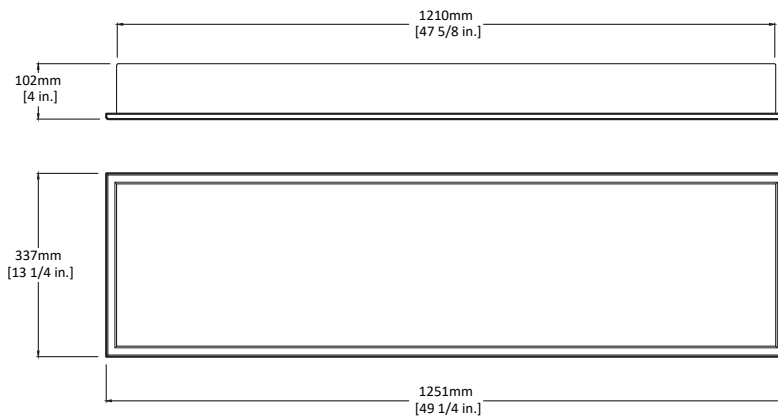


ARTA III
OD-3080-MW | MATTE WHITE

ARTA | TECHNICAL

49 1/4 in. (1251 mm) X 13 1/4 in. (337 mm) X 4 in. (102 mm)

Weight : 11.7 lb (5.3 kg)
CUPC approved



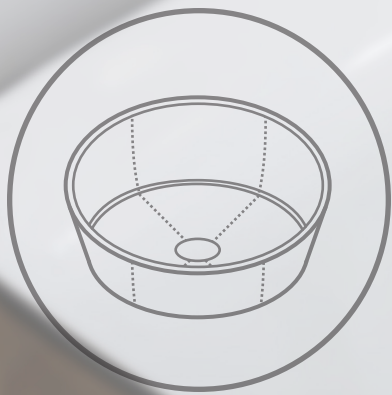
Made of 18 gauge 304 stainless steel folded with integrated drainage slope on all four (4) walls.

The horizontal recessed wall installation of the Arta wall-mounted niche requires modifications to the wall structure that must be performed only by a professional in accordance with current building code standards.



D. PORCELAIN WASHBASINS





Odass' porcelain washbasins are shaped from a high quality porcelain and meet rigorously controlled standards.

This ensures a uniquely styled product with a consistent shape and smooth surface. Our selection includes different types of washbasins available in various finishes.

PORCELAIN
WASHBASINS

COSTA



Pedestal washbasin with overflow and faucet ledge

*Drain sold separately and available in different finishes.

*See page D.00



COSTA I
OD-4030-MW | MATTE WHITE



COSTA II
OD-4030-MB | MATTE BLACK



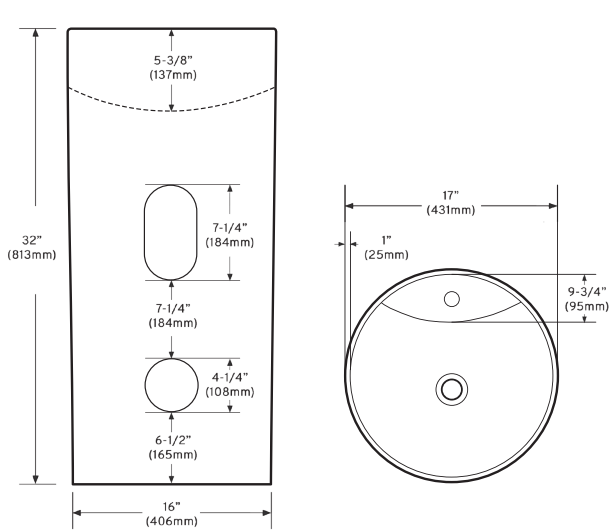
COSTA III
OD-4030-W | GLOSSY WHITE

COSTA | TECHNICAL

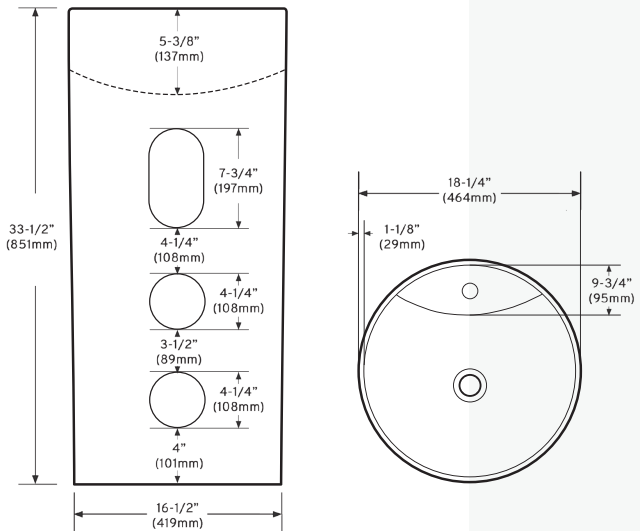
17 in. (431 mm) X 32 in. (813 mm) (OD-4030-MW/MB)
 18 1/4 in. (464 mm) X 33 1/2 in. (851 mm) (OD-4030-W)

Weight (OD-4030-MW/MB) : 92.2 lb (41.35 kg)
 Weight (OD-4030-W) : 98.3 lb (44.55 kg)

CUPC approved



Pedestal sink COSTA I & II



Pedestal sink COSTA III

Installation of a single hole faucet on the ledge



Openings located at the back for easy plumbing adjustments



PORCELAIN
WASHBASINS

ROYAL



Washbasin without overflow

*Drain sold separately and available in different finishes.

*See page D.00



ROYAL I

OD-4040-MW | MATTE WHITE



ROYAL II

OD-4040-MB | MATTE BLACK



ROYAL III

OD-4040-W | GLOSSY WHITE



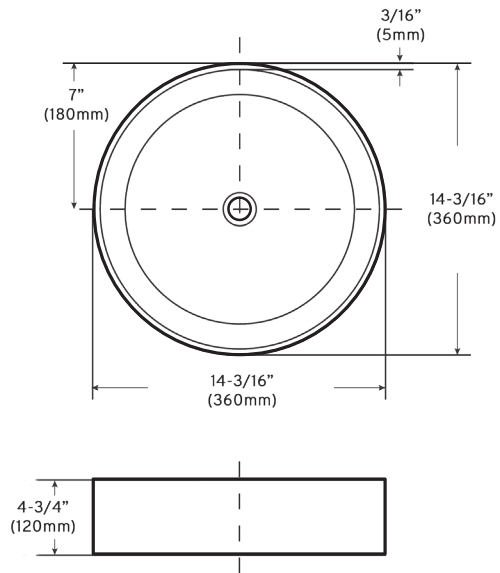
ROYAL IV

OD-4040-BW | MATTE BLACK & GLOSSY WHITE

ROYAL | TECHNICAL

14 3/16 in. (360 mm) X 14 3/16 in. (360 mm) X 4 3/4 in. (120 mm)

Weights : 15.4 lb (7 kg)
CUPC approved



Sink seen from below

Option to install the faucet directly on the countertop



Option to install the faucet directly on the wall



PORCELAIN
WASHBASINS

CYANA



Undercounter washbasin with integrated overflow

*Drain sold separately and available in different finishes.

*See page D.00



CYANA I

OD-4045-W | GLOSSY WHITE



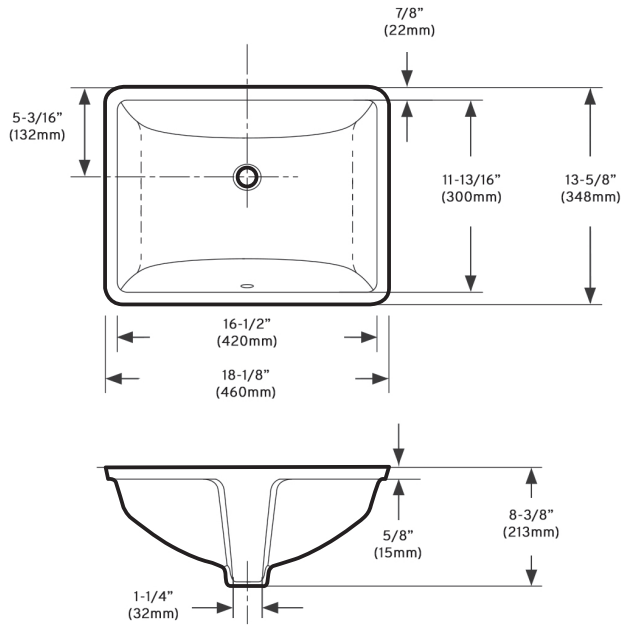
CYANA II

OD-4045-MB | MATTE BLACK

CYANA | TECHNICAL

18 1/8 in. (460 mm) X 13 5/8 in. (348 mm) X 8 3/8 in. (213 mm)

Weight : 18 lb (8.2 kg)
CUPC approved



Sink seen from side

Option to install the faucet directly on the countertop



Option to install the faucet directly on the wall



PORCELAIN
WASHBASINS

LEGEND



Washbasin without overflow

*Drain sold separately and available in different finishes.

*See page D.00



LEGEND I

OD-4050-MW | MATTE WHITE



LEGEND II

OD-4050-MB | MATTE BLACK



LEGEND III

OD-4050-W | GLOSSY WHITE



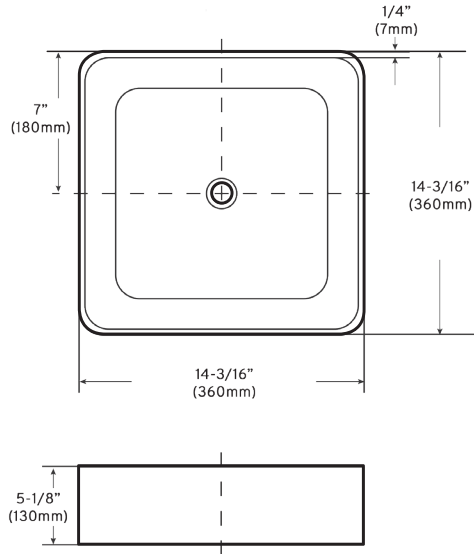
LEGEND IV

OD-4050-BW | MATTE BLACK & GLOSSY WHITE

LEGEND | TECHNICAL

14 3/16 in. (360 mm) X 14 3/16 in. (360 mm) X 5 1/8 in. (130 mm)

Weight : 17.7 lb (8 kg)
CUPC approved



Sink seen from below

Option to install the faucet directly on the countertop



Option to install the faucet directly on the wall



PORCELAIN
WASHBASINS

BOREAL



Washbasin without overflow

*Drain sold separately and available in different finishes.

*See page D.00



BOREAL I

OD-4060-MW | MATTE WHITE



BOREAL II

OD-4060-MB | MATTE BLACK



BOREAL III

OD-4060-W | GLOSSY WHITE



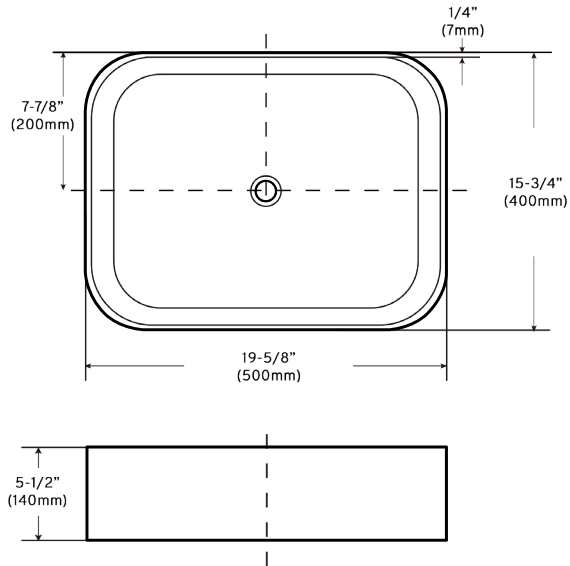
BOREAL IV

OD-4060-BW | MATTE BLACK & GLOSSY WHITE

BOREAL | TECHNICAL

19 5/8 in. (500 mm) X 15 3/4 in. (400 mm) X 5 1/2 in. (140 mm)

Weight : 20.5 lb (9.3 kg)
CUPC approved



Sink seen from below

Option to install the faucet directly on the countertop



Option to install the faucet directly on the wall



PORCELAIN
WASHBASINS

SIRINA



Washbasin with faucet ledge without overflow

*Drain sold separately and available in different finishes.

*See page D.00



SIRINA I
OD-4070-MW | MATTE WHITE



SIRINA II
OD-4070-MB | MATTE BLACK



SIRINA III
OD-4070-W | GLOSSY WHITE

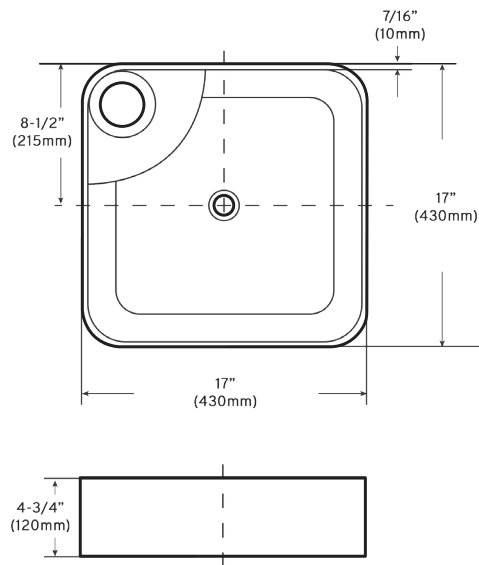


SIRINA IV
OD-4070-BW | MATTE BLACK & GLOSSY WHITE

SIRINA | TECHNICAL

17 in. (430 mm) X 17 in. (430 mm) X 4 3/4 in. (120 mm)

Weight : 20.6 lb (9.4 kg)
CUPC approved



Sink seen from below

Installation of a single hole faucet on the ledge



Various sink positions to orient the faucet to the left, right, back or front



PORCELAIN
WASHBASINS

PORTA



Semi-recessed washbasin with faucet ledge without overflow

*Drain sold separately and available in different finishes.

*See page D.00

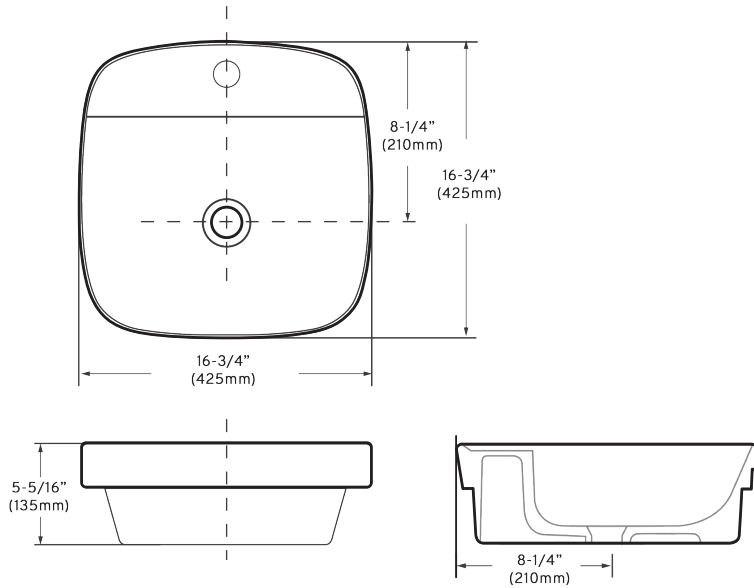


PORTA
OD-4055-W | GLOSSY WHITE

PORTA | TECHNICAL

16 3/4 in. (425 mm) X 16 3/4 in. (425 mm) X 5 5/16 in. (135 mm)

Weight : 18.2 lb (8.3 kg)
CUPC approved



Installation of a single hole faucet on the ledge



Localized clearance at the back for easy plumbing adjustments



PORCELAIN
WASHBASINS

ARIEL



Semi-recessed washbasin with faucet ledge without overflow

*Drain sold separately and available in different finishes.
*See page D.00

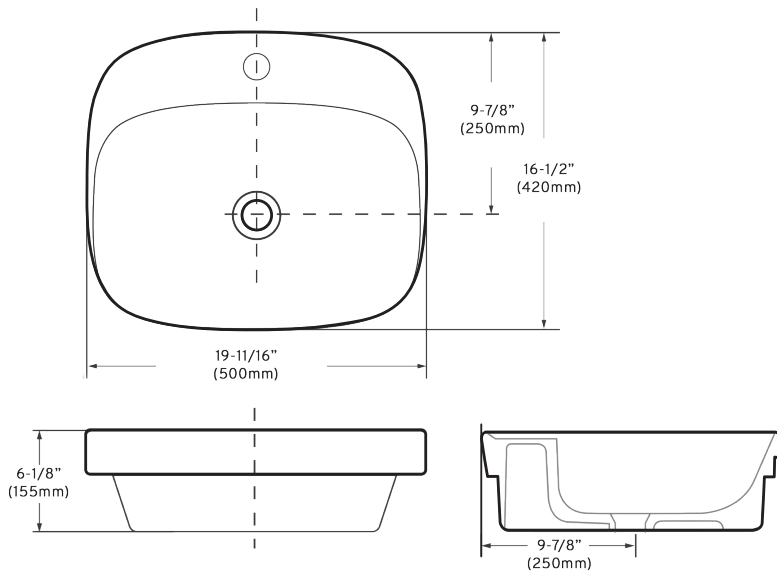


ARIEL
OD-4065-W | GLOSSY WHITE

ARIEL | TECHNICAL

19 11/16 in. (500 mm) X 16 1/2 in. (420 mm) X 6 1/8 in. (155 mm)

Weight : 24.3 lb (11 kg)
CUPC approved



Installation of a single hole faucet on the ledge



Localized clearance at the back for easy plumbing adjustments



DRAINS

Drain with or without return available in different finishes (sold separately)
*Drain with return must be used with a washbasin with overflow.



DRAIN WITH RETURN
OD-4510-SS | CHROME



DRAIN WITH RETURN
OD-4510-MB | MATTE BLACK



DRAIN WITH RETURN
OD-4510-MW | MATTE WHITE



DRAIN WITHOUT RETURN
OD-4520-SS | CHROME



DRAIN WITHOUT RETURN
OD-4520-MB | MATTE BLACK



DRAIN WITHOUT RETURN
OD-4520-MW | MATTE WHITE



DRAINS | TECHNICAL

2 5/8 in. (67 mm) X 7 5/8 in. (193 mm)

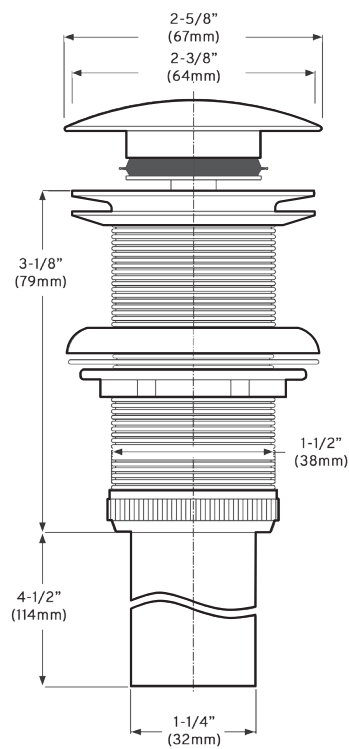
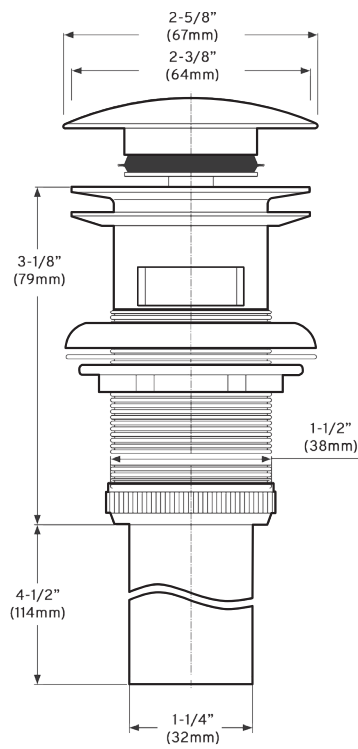
CUPC approved



Sink drain with return



Sink drain without return





E.

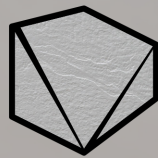
PURE SURFACE
COLLECTION



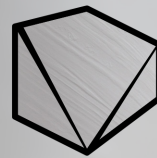
Odass' PURE SURFACE products are made from a blend of finely grounded pure white limestone and a superior performance acrylic resin. The presence of natural stone gives the product thermal retention capabilities for a very pleasant touch.

This composite material called Istone Solid Surface allows the casting of a wide variety of clean shapes with thin edges while ensuring standardization and dimensional stability. This state-of-the-art shaping gives the product durability and resistance to aging.

Specifically designed for the bathroom, the products are made of naturally white, non-porous, and anti-mold surfaces. Most models are also available in a matte black finish and some are offered in an exclusive selection of two (2) natural textures.



SANDSTONE
NATURAL STONE FINISH
(SDMW - SDMB)



SHALESTONE
SAND STONE FINISH
(SLMW - SLMB)

PURE SURFACE
COLLECTION

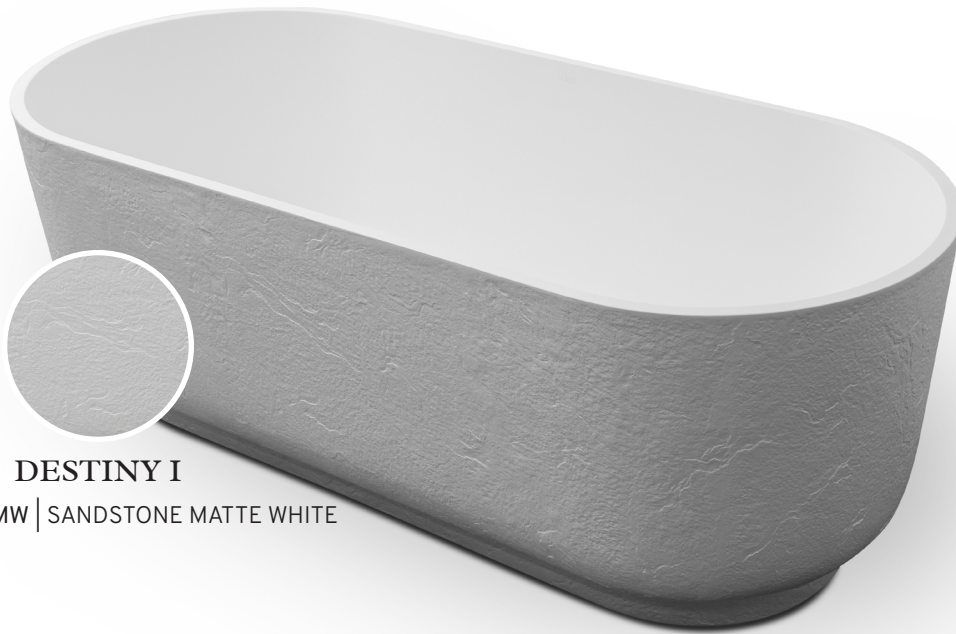
DESTINY



With its thin rim and crackled exterior, the Destiny bathtub will add character to your decor thanks to its clean lines and luxurious style. Add a pedestal faucet to make it look even more exceptional.

DESTINY | VERSION

Freestanding bathtub with drain & concealed drain cover matching the model



DESTINY I

OD-1740-SDMW | SANDSTONE MATTE WHITE



DESTINY II

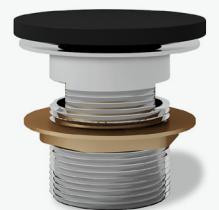
OD-1740-SDMB | SANDSTONE MATTE BLACK

*Possibility to choose different drain finishes (sold separately)
*See page E.00

OD-6275-MW | MATTE WHITE



OD-6275-MB | MATTE BLACK



DESTINY | SPECIFICATIONS

One-piece molding without overflow in ISTONE solid surface with matte textured exterior finish



ISTONE
SOLIDE SURFACE

The mixture of pure white limestone with an acrylic resin gives the product a strong resistance to aging and thermal properties for a very pleasant touch.



Without the possibility
of an overflow



Gallon capacity
68 GAL. imp. (309 L)



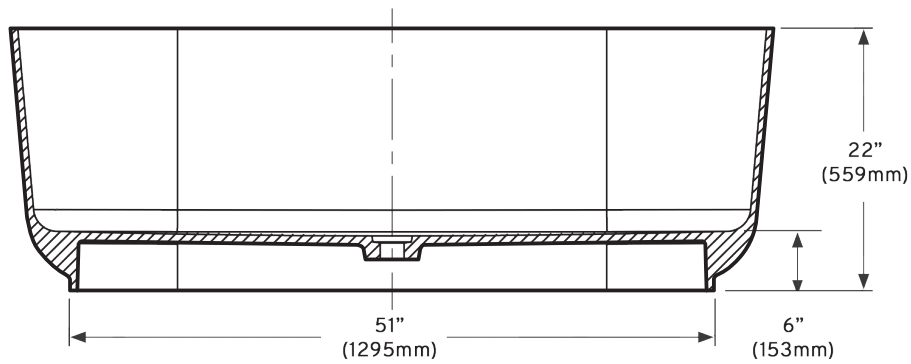
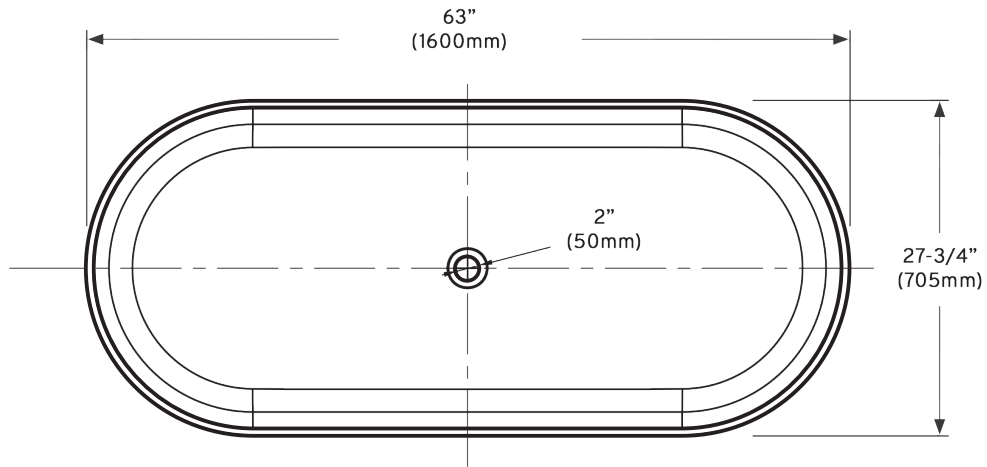
2 places



DESTINY | TECHNICAL

63 in. (1600 mm) X 27 3/4 in. (705 mm) X 22 in. (559 mm)

Weight : 200 lb (90.7 kg)
CUPC approved



PURE SURFACE
COLLECTION

RIVA



With its thin rim, the Riva bathtub will add a unique touch to your decor thanks to its sublime and distinguished shape. The sloped seat will ensure incomparable comfort and the integrated overflow completes its shape with elegance.

RIVA | VERSION

Freestanding bathtub with integrated overflow with drain & concealed cover matching the model



RIVA I

OD-1750-BW | MATTE BLACK & MATTE WHITE



RIVA II

OD-1750-MB | MATTE BLACK

OD-6275-MW | MATTE WHITE



OD-6275-MB | MATTE BLACK



*Possibility to choose different drain finishes (sold separately)
*See page E.00

RIVA | SPÉCIFICATIONS

One-piece molding with integrated overflow in ISTONE solid surface



ISTONE
SOLIDE SURFACE

The mixture of pure white limestone with an acrylic resin gives the product a strong resistance to aging and thermal properties for a very pleasant touch.



Overflow height
13 3/4 po. (349 mm)



Gallon capacity
56 GAL. imp. (255 L)

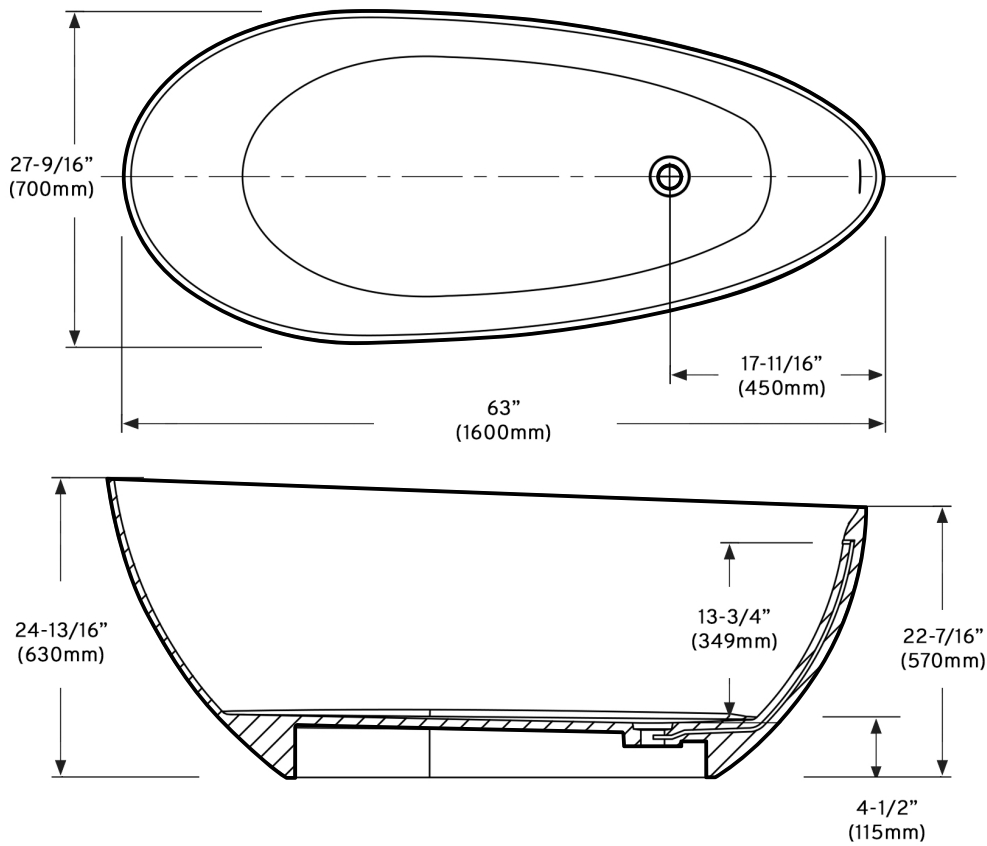


1 place



RIVA | TECHNICAL

63 in. (1600 mm) X 27 9/16 in. (700 mm) X 24 13/16 in. (630mm)
CUPC approved



PURE SURFACE
COLLECTION

BENGALE



Backlit mirror with LED lights



BENGALE I
OD-1920-MW | MATTE WHITE

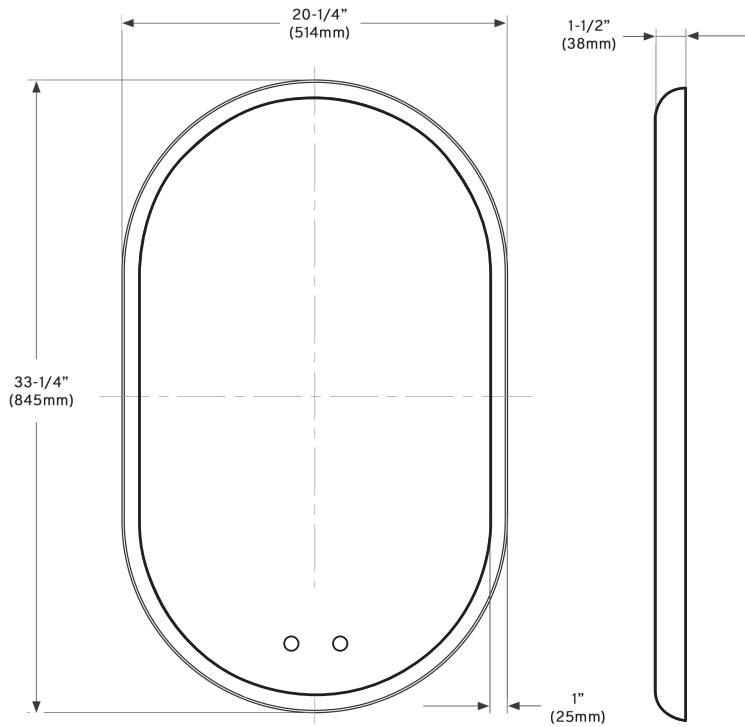


BENGALE II
OD-1920-MB | MATTE BLACK

BENGALE | TECHNICAL

20 1/4 in. (514 mm) X 1 1/2 in. (38 mm) X 33 1/4 in. (845 mm)

Weight : 18 lb (8.1 kg)
ETL certified



Curved frame and silver glass mirror



Integrated LED light strip with 3 different lighting



Touch dimmer for light adjustment (3000, 4500, 6000 kelvin) and anti-fog touch button



ISTONE
SOLIDE SURFACE

The mixture of pure white limestone with an acrylic resin gives the product a strong resistance to aging and thermal properties for a very pleasant touch.

PURE SURFACE
COLLECTION

NAUTILUS



Backlit mirror with LED lights



NAUTILUS I
OD-1930-MW | MATTE WHITE

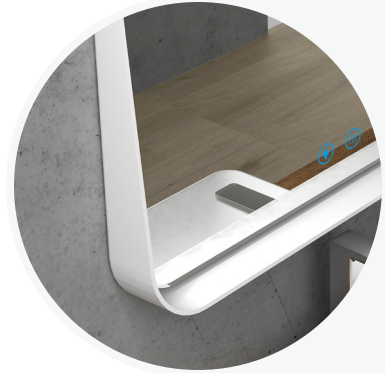
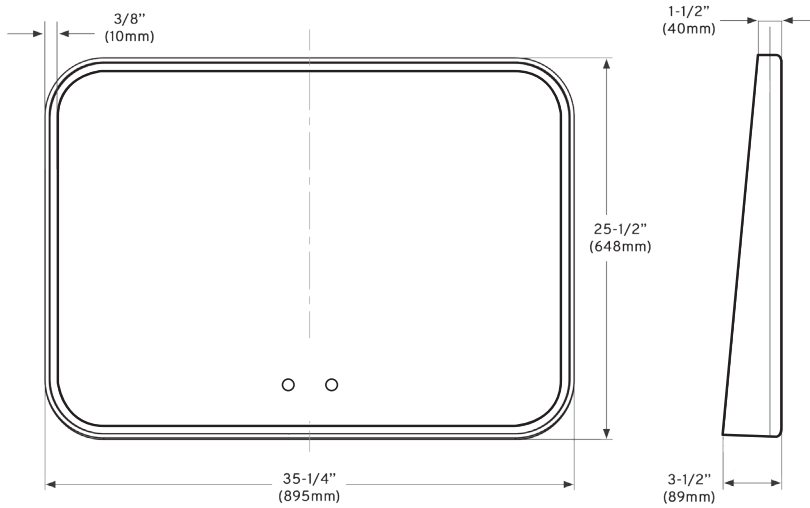


NAUTILUS II
OD-1930-MB | MATTE BLACK & MATTE WHITE

NAUTILUS | TECHNICAL

35 1/4 in. (895 mm) X 3 1/2 in. (89 mm) X 25 1/2 in. (648 mm)

Weight : 28 lb (12.7 kg)
ETL certified



Curved frame and silver glass mirror



Integrated LED light strip
with 3 different lighting



Touch dimmer for light adjustment
(3000, 4500, 6000 kelvin)
and anti-fog touch button

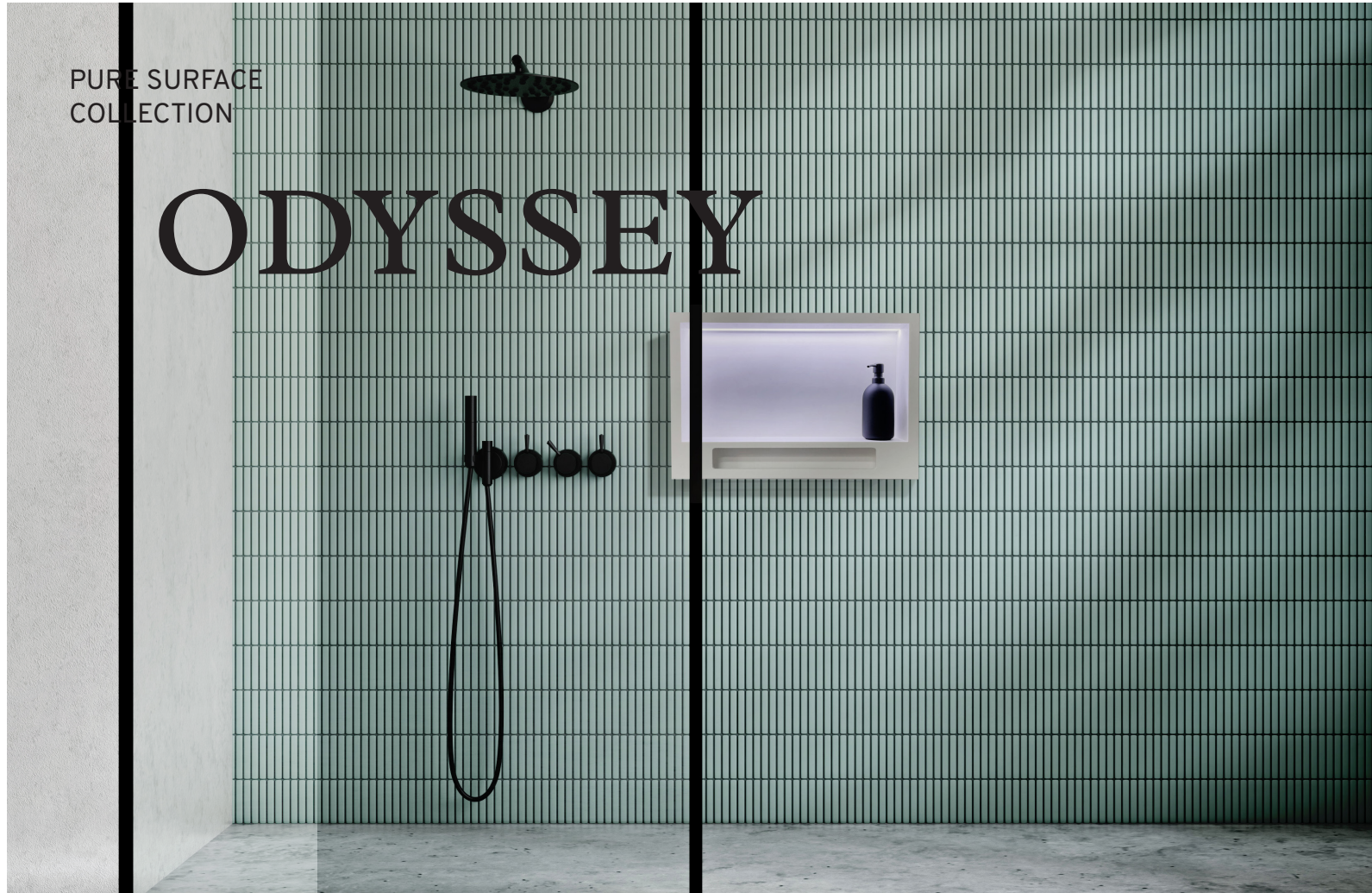


ISTONE
SOLIDE SURFACE

The mixture of pure white limestone with an acrylic resin gives the product a strong resistance to aging and thermal properties for a very pleasant touch.

PURE SURFACE
COLLECTION

ODYSSEY



Backlit shower niche with LED lights



ODYSSEY I
OD-1820-MW | MATTE WHITE

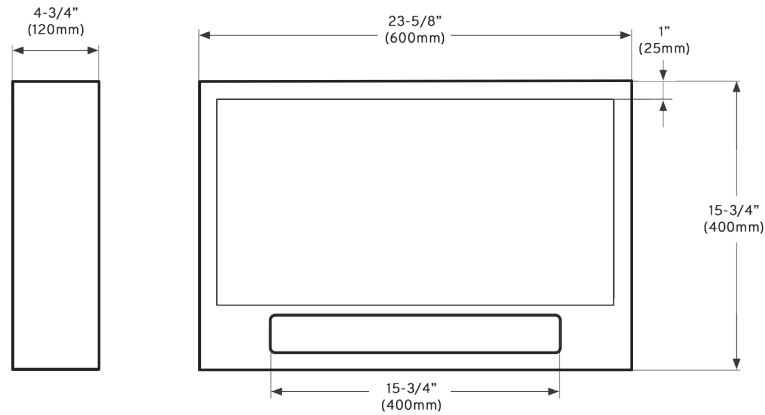


ODYSSEY II
OD-1820-MB | MATTE BLACK

ODYSSEY | TECHNICAL

23 5/8 in. (600 mm) X 15 3/4 in. (400 mm) X 4 3/4 in. (120 mm)

Weight : 13 lb (6 kg)
CUPC approved
ETL certified



The mixture of pure white limestone with an acrylic resin gives the product a strong resistance to aging and thermal properties for a very pleasant touch.



Integrated storage space and small towel rack



Movement sensor to turn the light on and off by a sweep of the hand



Built-in 120 VAC/12 VDC transformer with 10' wire to connect the niche

PURE SURFACE
COLLECTION

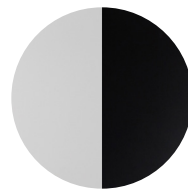
ADMIRAL



Shower column

Easy to maintain, Odass' shower column has a matte white front on a matte black back section with chrome accessories and an integrated towel bar.

It includes different types of water jets with anti-calcite nozzles, including four (4) body jets, one (1) waterfall, one (1) hand shower-head, and one (1) rain shower-head.



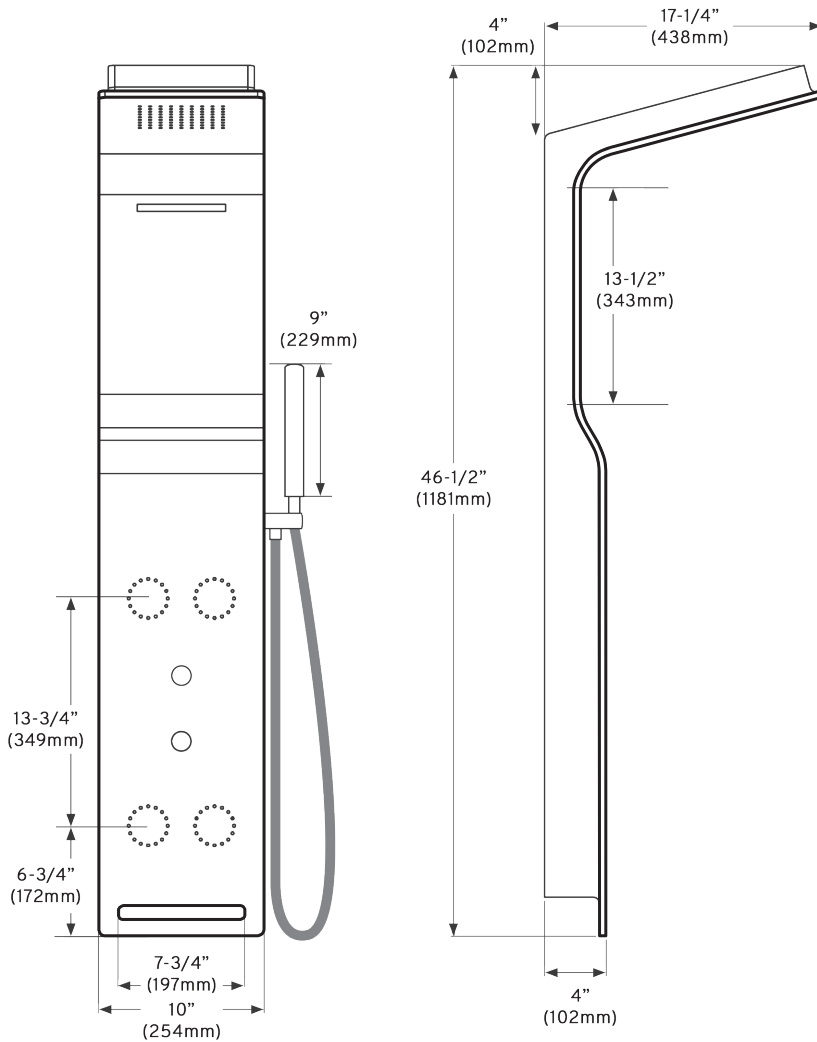
ADMIRAL

OD-1830 | MATTE BLACK & MATTE WHITE

ADMIRAL | TECHNICAL

46 1/2 in. (1181 mm) X 10 in. (254 mm) X 17 1/4 in. (438 mm)

Weight : 48 lb (22 kg)
CUPC approved



Retractable brass hand shower-head with anti-limestone nozzles



Thermostatic valve for precise water temperature adjustment



Body jets with anti-limestone nozzles



The mixture of pure white limestone with an acrylic resin gives the product a strong resistance to aging and thermal properties for a very pleasant touch.

PURE SURFACE
COLLECTION

LIVENZA



Pedestal washbasin with integrated overflow and faucet ledge

*Drain sold separately and available in different finishes

*See page E.00



LIVENZA I

OD-1950-SLMW | SHALESTONE MATTE WHITE



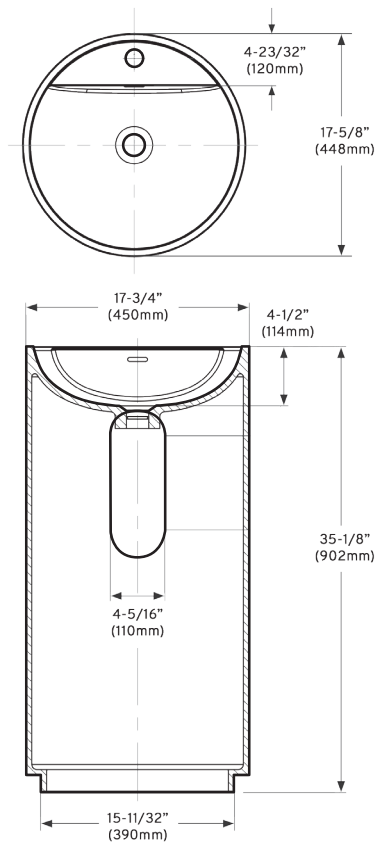
LIVENZA II

OD-1950-SLMB | SHALESTONE MATTE BLACK

LIVENZA | TECHNICAL

17 3/4 in. (450 mm) X 17 5/8 in. (448mm) X 35 1/8 in. (902 mm)

Weight : 84 lb (38 kg)
CUPC approved



Single hole faucet installation on the washbasin ledge with integrated overflow



ISTONE
SOLIDE SURFACE

The mixture of pure white limestone with an acrylic resin gives the product a strong resistance to aging and thermal properties for a very pleasant touch.



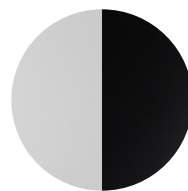
PURE SURFACE
COLLECTION

OLYMPIA



Pedestal washbasin with integrated overflow
and faucet ledge

*Drain sold separately and available in different finishes
*See page E.00



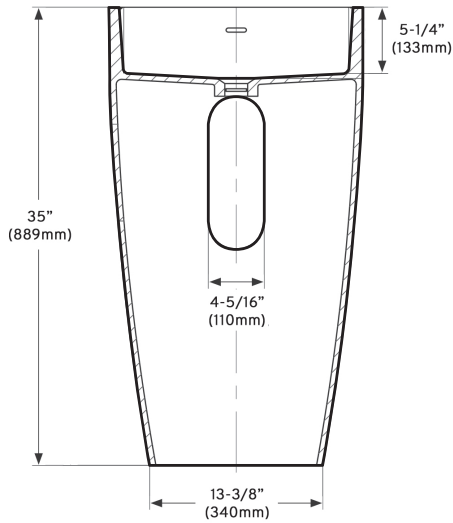
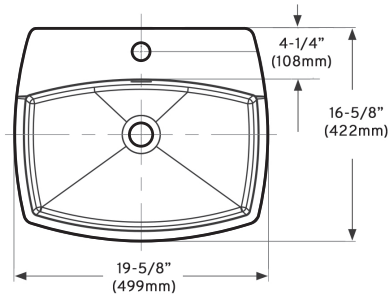
OLYMPIA

OD-1880 | MATTE BLACK & MATTE WHITE

OLYMPIA | TECHNICAL

19 5/8 in. (499 mm) X 16 5/8 in. (422mm) X 35 in. (889 mm)

Weight : 88 lb (40 kg)
CUPC approved



Single hole faucet installation on the washbasin ledge with integrated overflow



ISTONE
SOLIDE SURFACE

The mixture of pure white limestone with an acrylic resin gives the product a strong resistance to aging and thermal properties for a very pleasant touch.



PURE SURFACE
COLLECTION

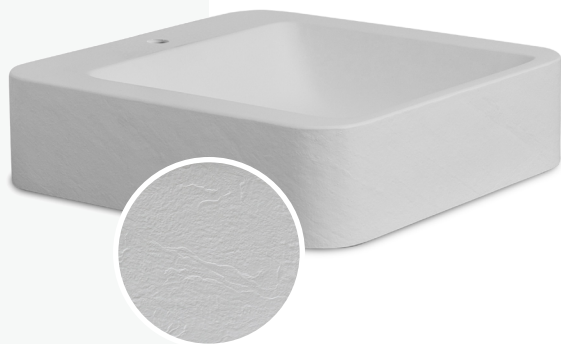
MONARCH



Washbasin with faucet ledge without overflow

*Drain sold separately and available in different finishes

*See page E.00



MONARCH I

OD-1870-SDMW | SANDSTONE MATTE WHITE



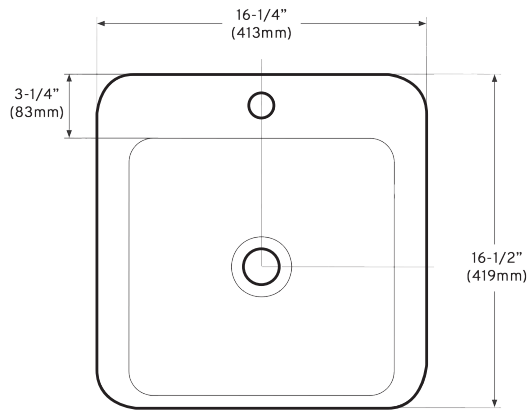
MONARCH II

OD-1870-SDMB | SANDSTONE MATTE BLACK

MONARCH | TECHNICAL

16 1/4 in. (413 mm) X 16 1/2 in. (419 mm) X 4 3/8 in. (111 mm)

Weight : 25.6 lb (11.6 kg)
CUPC approved



Single hole faucet installation
on the washbasin ledge



ISTONE
SOLIDE SURFACE

The mixture of pure white limestone with an acrylic resin gives the product a strong resistance to aging and thermal properties for a very pleasant touch.

PURE SURFACE
COLLECTION

MAJESTIC



Washbasin with faucet ledge without overflow

*Drain sold separately and available in different finishes

*See page E.00



MAJESTIC I

OD-1860-SDMW | SANDSTONE MATTE WHITE



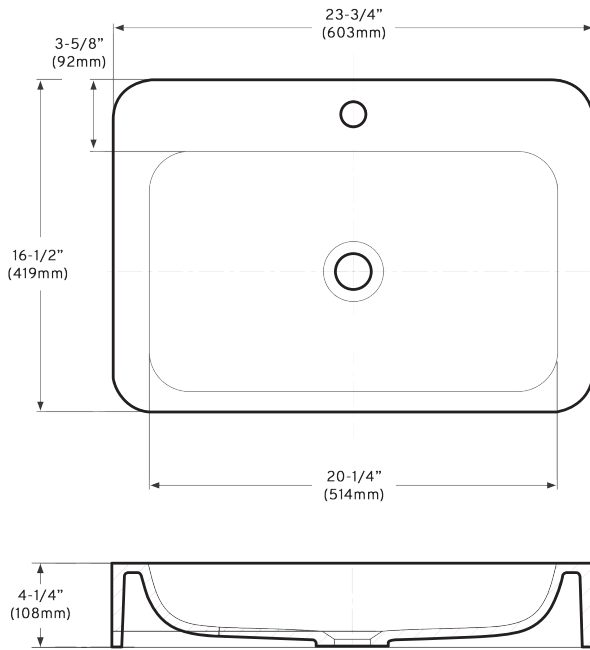
MAJESTIC II

OD-1860-SDMB | SANDSTONE MATTE BLACK

MAJESTIC | TECHNICAL

23 3/4 in. (603 mm) X 16 1/2 in. (419 mm) X 4 1/4 in. (108 mm)

Weight : 33.3 lb (15.1 kg)
CUPC approved



Single hole faucet installation
on the washbasin ledge



ISTONE
SOLIDE SURFACE

The mixture of pure white limestone with an acrylic resin gives the product a strong resistance to aging and thermal properties for a very pleasant touch.

PURE SURFACE
COLLECTION

CLEYA

Washbasin with integrated overflow and faucet ledge

*Drain sold separately and available in different finishes

*See page E.00



CLEYA I
OD-1720-MW | MATTE WHITE



CLEYA II
OD-1720-MB | MATTE BLACK



CLEYA III
OD-1720-SLMW | SHALESTONE MATTE WHITE

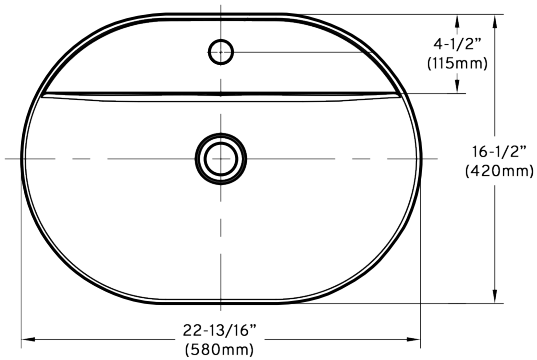


CLEYA IV
OD-1720-SLMB | SHALESTONE MATTE BLACK

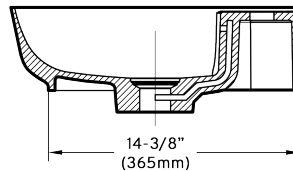
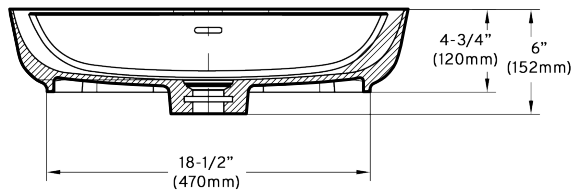
CLEYA | TECHNICAL

22 13/16 in. (580 mm) X 16 1/2 in. (420 mm) X 6 in. (152mm)

CUPC approved



Single hole faucet installation on the washbasin ledge with integrated overflow



ISTONE
SOLIDE SURFACE

The mixture of pure white limestone with an acrylic resin gives the product a strong resistance to aging and thermal properties for a very pleasant touch.



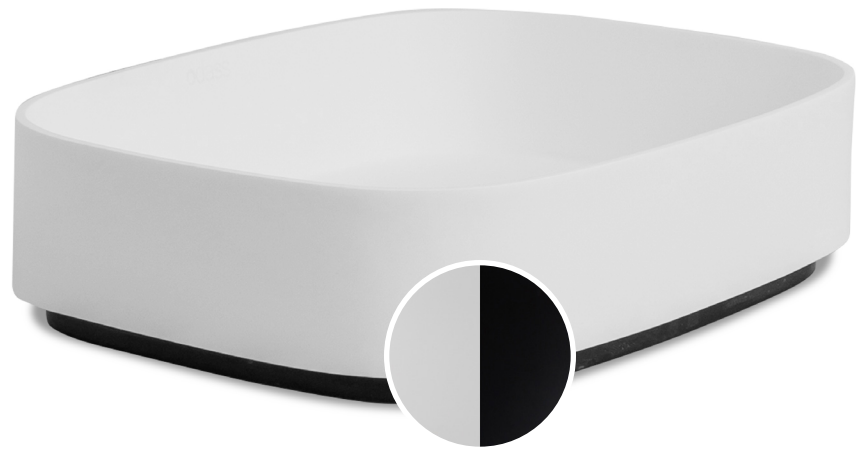
PURE SURFACE
COLLECTION

ALIZE



Washbasin without overflow

*Drain sold separately and available in different finishes
*See page E.00



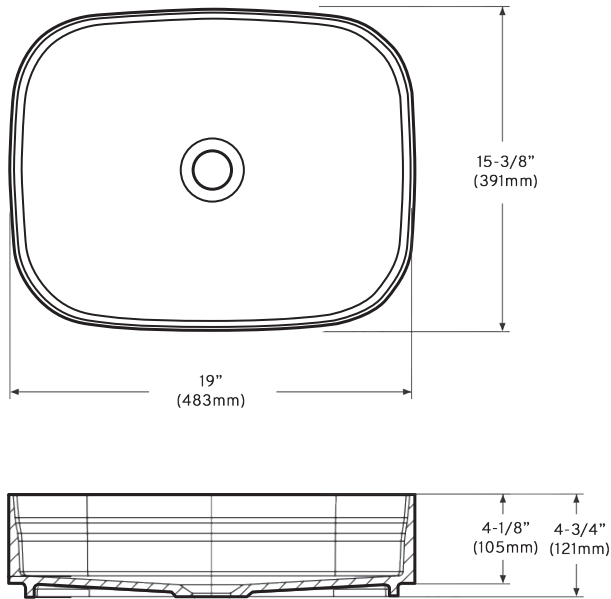
ALIZE

OD-1710-BW | MATTE BLACK & MATTE WHITE

ALIZE | TECHNICAL

19 in. (483 mm) X 15 3/8 in. (391 mm) X 4 3/4 in. (121 mm)

Weight : 17,6 lb (8 kg)
CUPC approved



Installation with wall-mounted faucet



Installation with faucet on countertop



ISTONE
SOLIDE SURFACE

The mixture of pure white limestone with an acrylic resin gives the product a strong resistance to aging and thermal properties for a very pleasant touch.



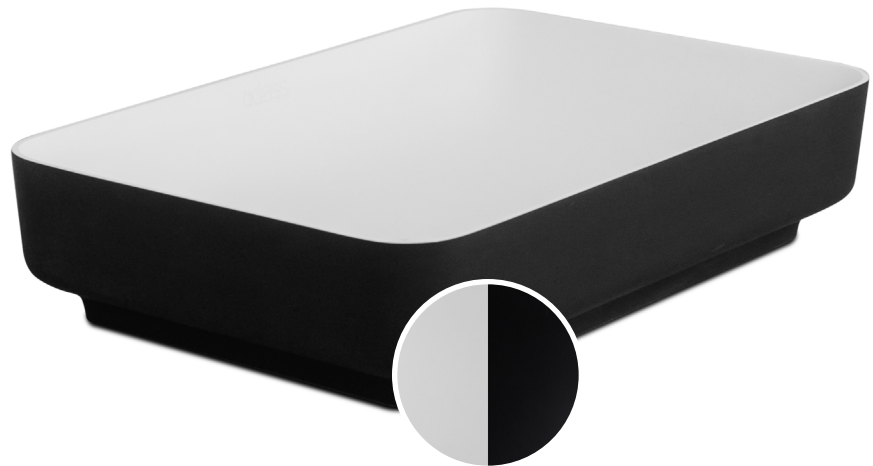
PURE SURFACE
COLLECTION

OPERA



Washbasin without overflow

*Drain sold separately and available in different finishes
*See page E.00



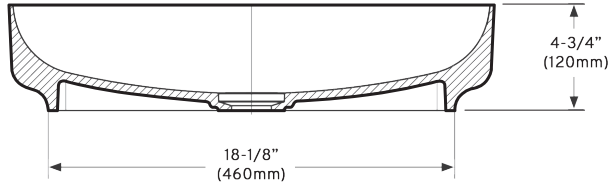
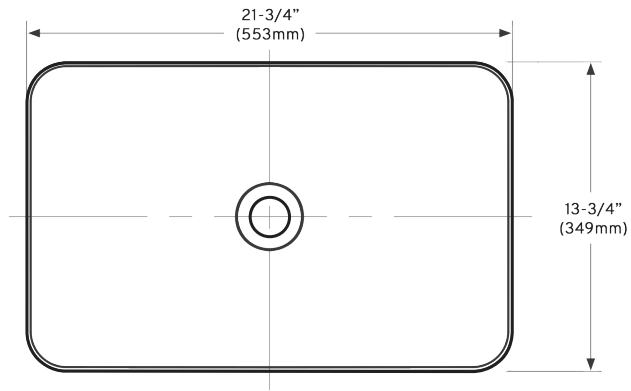
OPERA

OD-1910 | MATTE BLACK & MATTE WHITE

OPERA | TECHNICAL

21 3/4 in. (553 mm) X 13 3/4 in. (349 mm) X 4 3/4 in. (120 mm)

Weight : 19.3 lb (8.75 kg)
CUPC approved



Installation with wall-mounted faucet



Installation with faucet on countertop



ISTONE
SOLIDE SURFACE

The mixture of pure white limestone with an acrylic resin gives the product a strong resistance to aging and thermal properties for a very pleasant touch.



PURE SURFACE
COLLECTION

CARRIBBEAN



Semi-recessed washbasin without overflow

*Drain sold separately and available in different finishes

*See page E.00



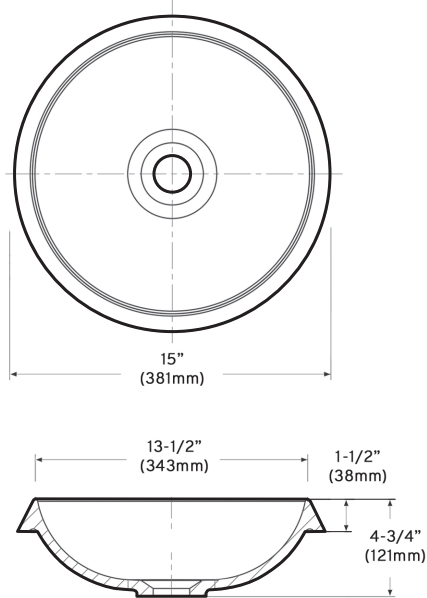
CARRIBBEAN

OD-1840 | MATTE BLACK & MATTE WHITE

CARRIBBEAN | TECHNICAL

15 in. (381 mm) X 4 3/4 in. (121 mm)

Weight : 7.4 lb (3.3 kg)
CUPC approved



Installation with wall-mounted faucet



Installation with faucet on countertop



ISTONE
SOLIDE SURFACE

The mixture of pure white limestone with an acrylic resin gives the product a strong resistance to aging and thermal properties for a very pleasant touch.



PURE SURFACE
COLLECTION

HARMONY



Semi-recessed washbasin without overflow

*Drain sold separately and available in different finishes

*See page E.00



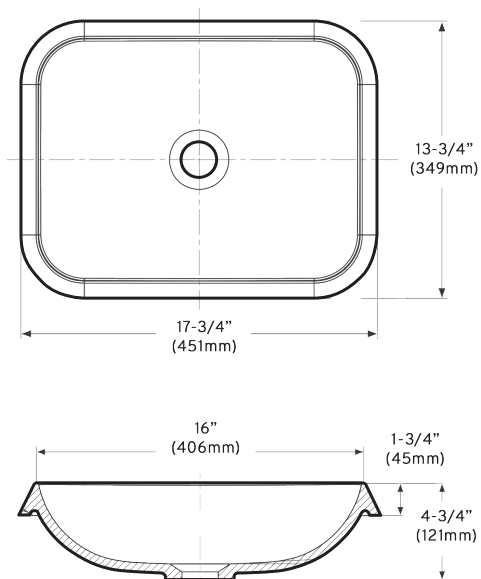
HARMONY

OD-1850 | MATTE BLACK & MATTE WHITE

HARMONY | TECHNICAL

17 3/4 in. (451 mm) X 13 3/4 in. (349mm) X 4 3/4 in. (121 mm)

Weight : 10.4 lb (4.7 kg)
CUPC approved



Installation with wall-mounted faucet



Installation with faucet on countertop



ISTONE
SOLIDE SURFACE

The mixture of pure white limestone with an acrylic resin gives the product a strong resistance to aging and thermal properties for a very pleasant touch.



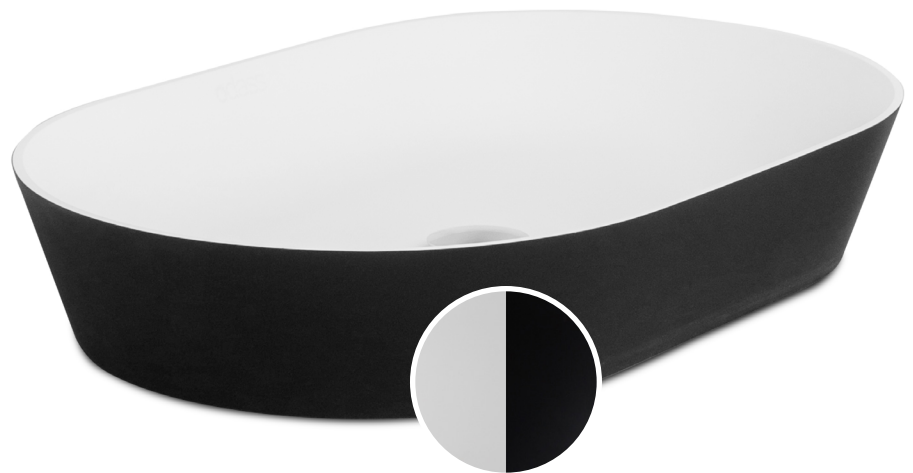
PURE SURFACE
COLLECTION

EMPRESS



Washbasin without overflow

*Drain sold separately and available in different finishes
*See page E.00



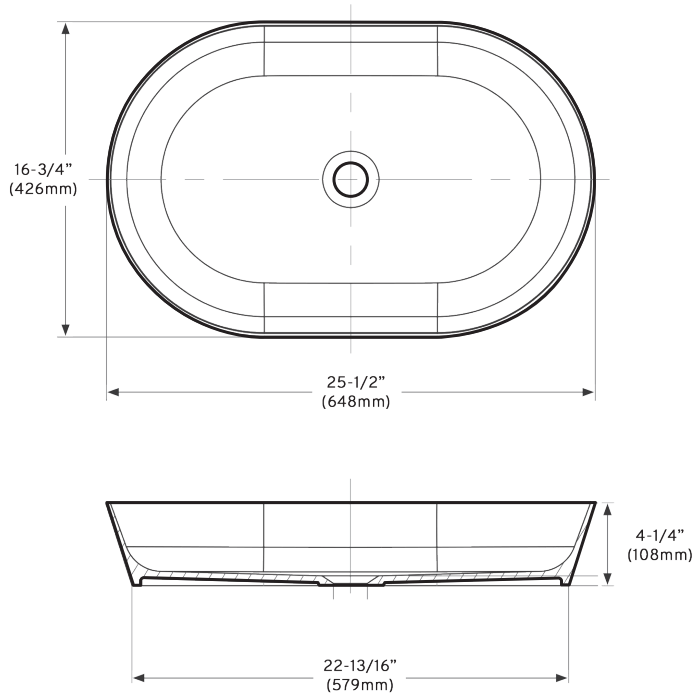
EMPRESS

OD-1890 | MATTE BLACK & MATTE WHITE

EMPRESS | TECHNICAL

25 1/2 in. (648 mm) X 16 3/4 in. (426 mm) X 4 1/4 in. (108 mm)

Weight : 16.6 lb (7.55 kg)
CUPC approved



Installation with wall-mounted faucet



Installation with faucet on countertop



ISTONE
SOLIDE SURFACE

The mixture of pure white limestone with an acrylic resin gives the product a strong resistance to aging and thermal properties for a very pleasant touch.

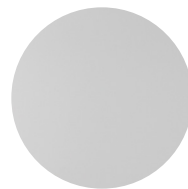


PURE SURFACE
COLLECTION

RHÔNE



Bathtub table 24 inches

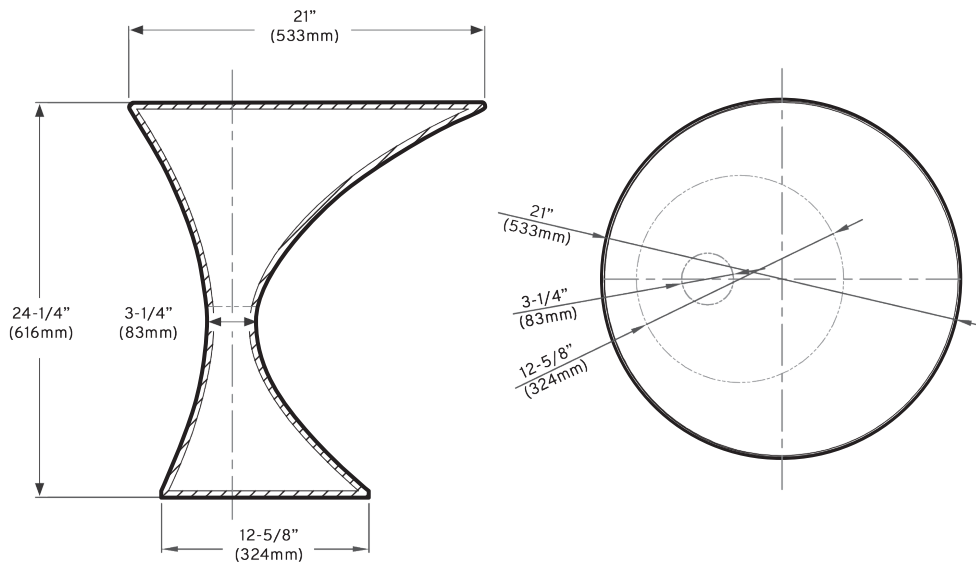


RHÔNE
OD-1940 | MATTE WHITE

RHÔNE | TECHNICAL

21 in. (533 mm) X 24 1/4 in. (616 mm)

Weight : 40 lb (18 kg)
CUPC approved



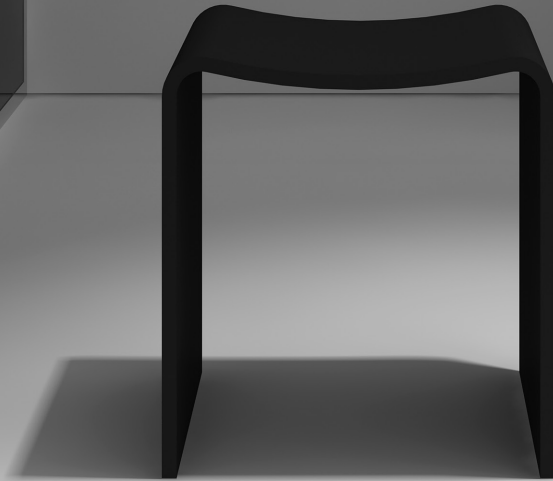
ISTONE
SOLIDE SURFACE

The mixture of pure white limestone with an acrylic resin gives the product a strong resistance to aging and thermal properties for a very pleasant touch.

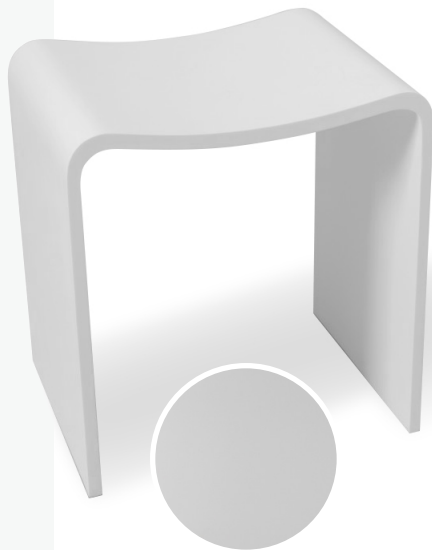


PURE SURFACE
COLLECTION

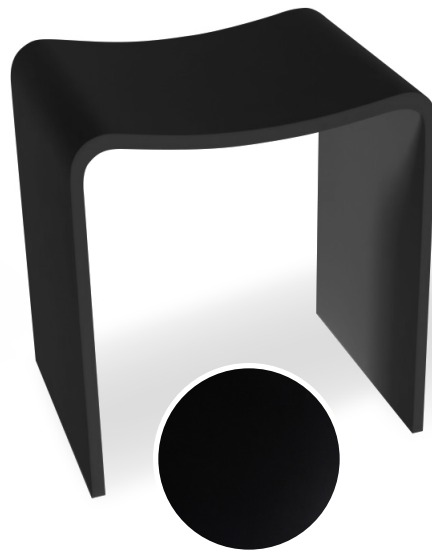
EUROPA



Shower seat 16 inches (or bathtub table)



EUROPA I
OD-1900-MW | MATTE WHITE

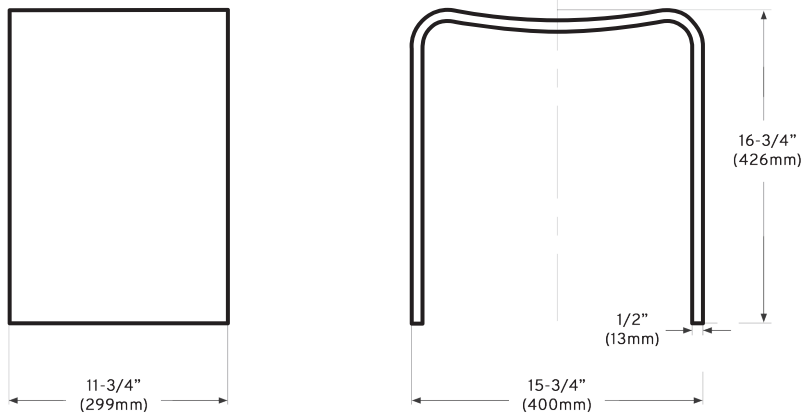


EUROPA II
OD-1900-MB | MATTE BLACK

EUROPA | TECHNICAL

15 3/4 in. (400 mm) X 11 3/4 in. (299 mm) X 16 3/4 in. (426mm)

Weight : 20 lb (9 kg)
CUPC approved



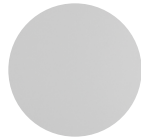
ISTONE
SOLIDE SURFACE

The mixture of pure white limestone with an acrylic resin gives the product a strong resistance to aging and thermal properties for a very pleasant touch.



DRAINS (BATHTUBS)

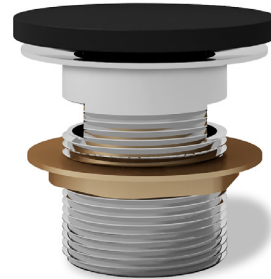
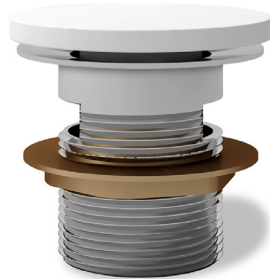
Bathtub drain with concealed drain cover available in different finishes



BATHTUB DRAIN
OD-6275-MW | MATTE WHITE



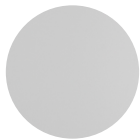
BATHTUB DRAIN
OD-6275-MB | MATTE BLACK



COLLECTION
PURE SURFACE

DRAINS (WASHBASINS)

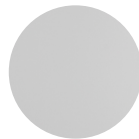
Washbasin drain with or without return available in different finishes (sold separately)
*Drain with return must be used with a washbasin with an overflow



DRAIN WITHOUT RETURN
OD-4515-MW | MATTE WHITE



DRAIN WITHOUT RETURN
OD-4515-MB | MATTE BLACK



DRAIN WITH RETURN
OD-4525-MW | MATTE WHITE



DRAIN WITH RETURN
OD-4525-MB | MATTE BLACK



F.

NANO TECH
COLLECTION





Odass' NANO TECH collection consists of high-end PVD coated stainless steel products available in a variety of stylish shape with durable finishes.

All products in the collection include the NANO protection, which adds hydrophobic properties to the various finishes to protect them from any liquid accumulation.

KAMA



Washbasin without overflow with matching drain without return

*Possibility to choose different drain finishes (sold separately)

*See page F.00



KAMA I

OD-5010-BR | BRUSHED



KAMA II

OD-5010-BG | BRUSHED GOLD



KAMA III

OD-5010-BC | BRUSHED COPPER



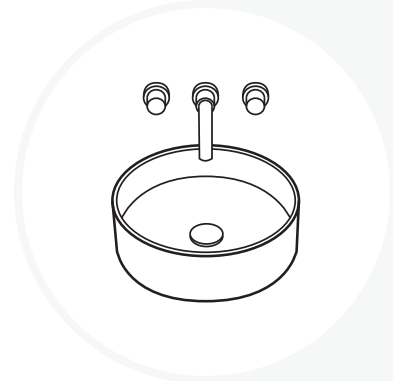
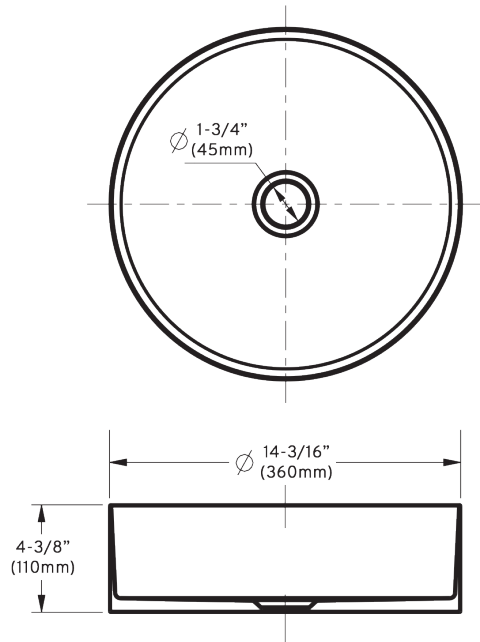
KAMA IV

OD-5010-BGM | BRUSHED GUNMETAL

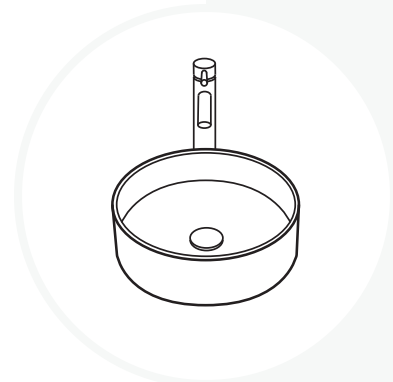
KAMA | TECHNICAL

14 3/16 in. (360 mm) X 4 3/8 in. (110 mm)

CUPC approved



Installation with wall-mounted faucet



Installation with faucet on countertop



NANO
PROTECTION

The hydrophobic properties of the NANO protection allow droplets to drain directly without spreading on the washbasin's surface.



KOURA



Semi-recessed washbasin without overflow with matching drain without return

*Possibility to choose different drain finishes (sold separately)

*See page F.00



KOURA I

OD-5015-BR | BRUSHED



KOURA II

OD-5015-BG | BRUSHED GOLD



KOURA III

OD-5015-BC | BRUSHED COPPER



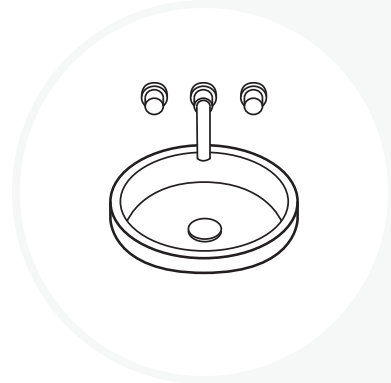
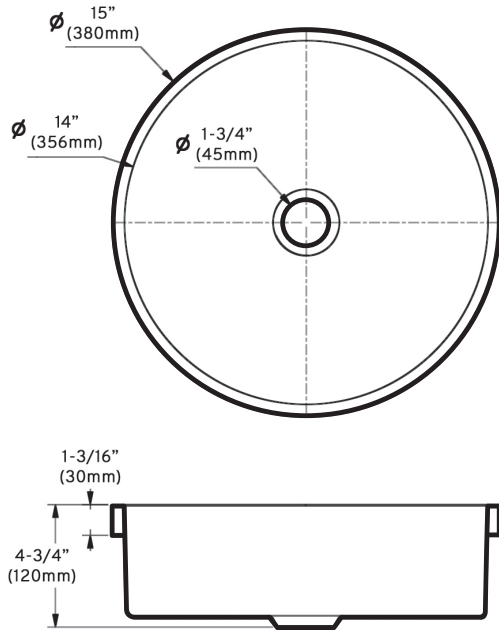
KOURA IV

OD-5015-BGM | BRUSHED GUNMETAL

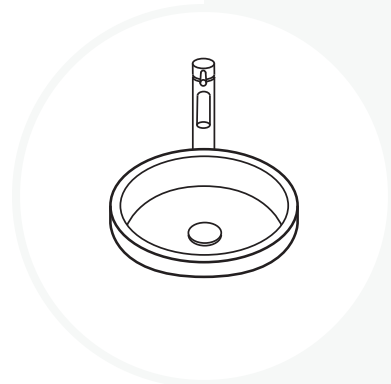
KOURA | TECHNICAL

15 in. (380 mm) X 4 3/4 in. (120 mm)

CUPC approved



Installation with wall-mounted faucet

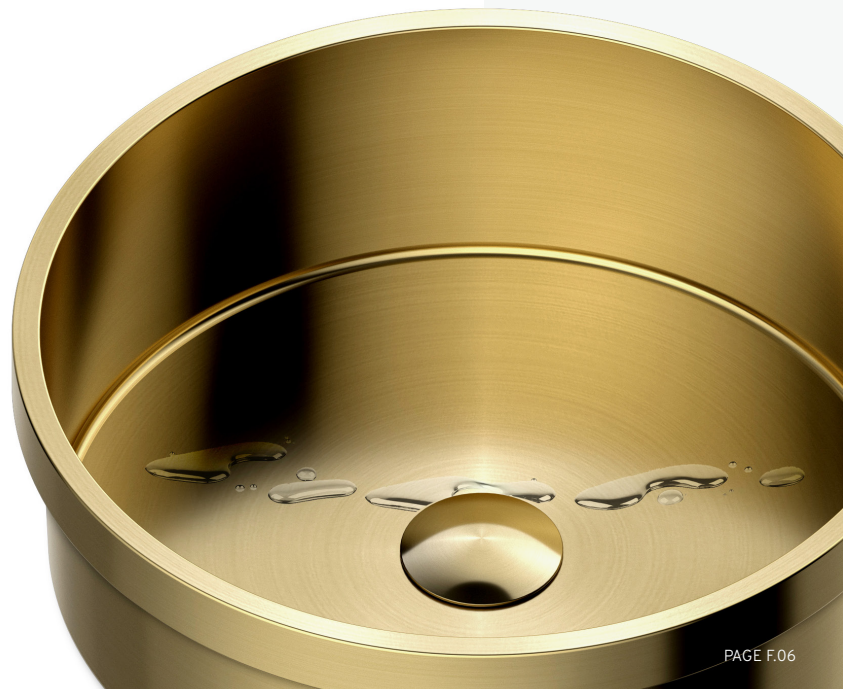


Installation with faucet on countertop



NANO
PROTECTION

The hydrophobic properties of the NANO protection allow droplets to drain directly without spreading on the washbasin's surface.



TANA



Washbasin without overflow with matching drain without return

*Possibility to choose different drain finishes (sold separately)

*See page F.00



TANA I
OD-5020-BR | BRUSHED



TANA II
OD-5020-BG | BRUSHED GOLD



TANA III
OD-5020-BC | BRUSHED COPPER

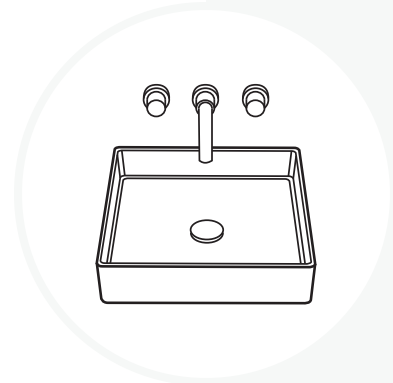
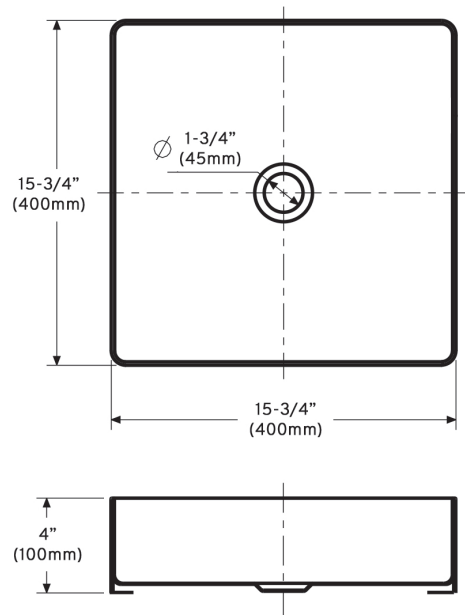


TANA IV
OD-5020-BGM | BRUSHED GUNMETAL

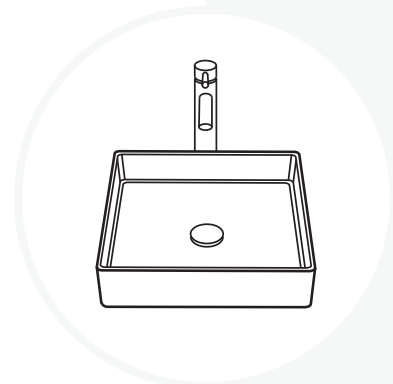
TANA | TECHNICAL

15 3/4 in. (400 mm) X 15 3/4 in. (400 mm) X 4 in. (100 mm)

CUPC approved



Installation with wall-mounted faucet



Installation with faucet on countertop



NANO
PROTECTION

The hydrophobic properties of the NANO protection allow droplets to drain directly without spreading on the washbasin's surface.



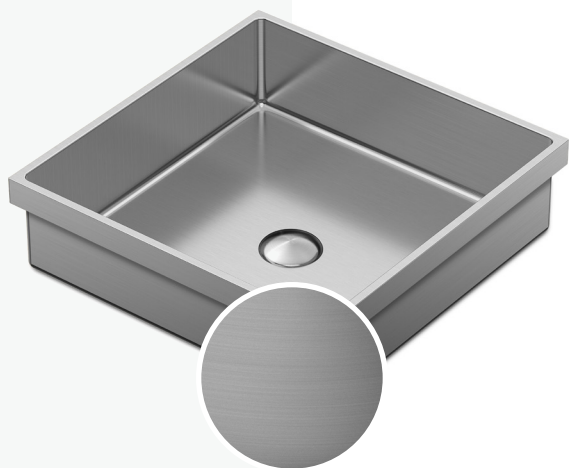
VOLTA



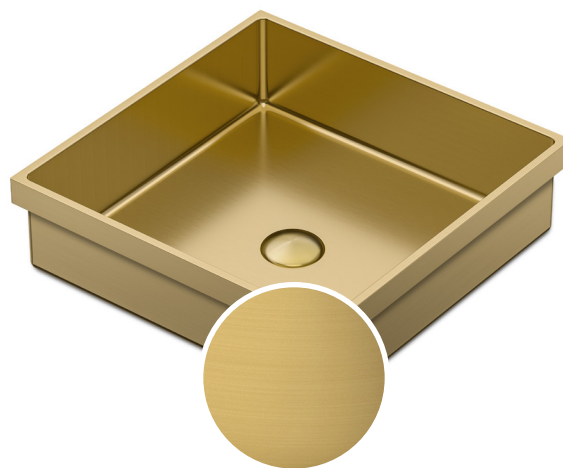
Semi-recessed washbasin without overflow with matching drain without return

*Possibility to choose different drain finishes (sold separately)

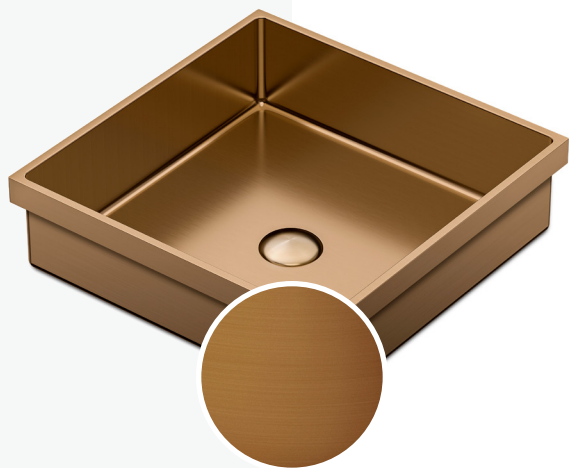
*See page F.00



VOLTA I
OD-5025-BR | BRUSHED



VOLTA II
OD-5025-BG | BRUSHED GOLD



VOLTA III
OD-5025-BC | BRUSHED COPPER

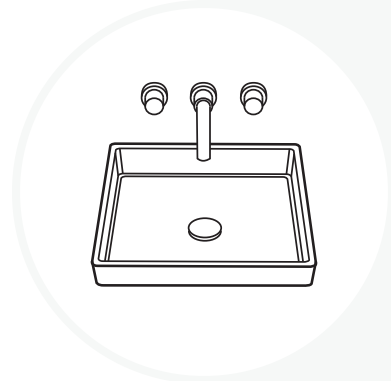
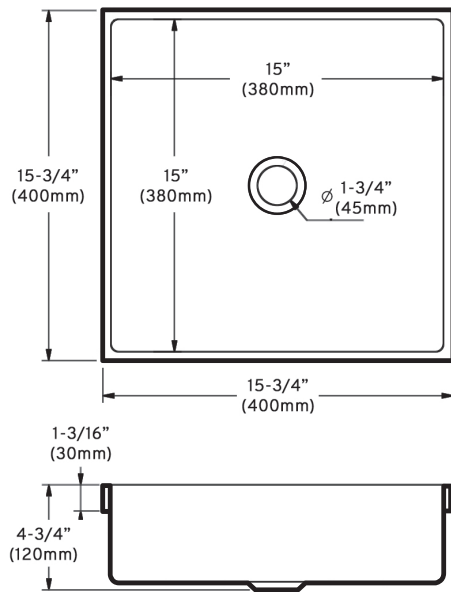


VOLTA IV
OD-5025-BGM | BRUSHED GUNMETAL

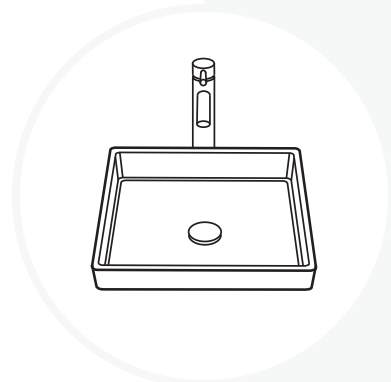
VOLTA | TECHNICAL

15 3/4 in. (400 mm) X 15 3/4 in. (400 mm) X 4 3/4 in. (120 mm)

CUPC approved



Installation with wall-mounted faucet



Installation with faucet on countertop



NANO
PROTECTION

The hydrophobic properties of the NANO protection allow droplets to drain directly without spreading on the washbasin's surface.



NANO TECH
COLLECTION

ALDAN



Washbasin without overflow with matching drain without return

*Possibility to choose different drain finishes (sold separately)

*See page F.00



ALDAN I

OD-5030-BR | BRUSHED



ALDAN II

OD-5030-BG | BRUSHED GOLD



ALDAN III

OD-5030-BC | BRUSHED COPPER



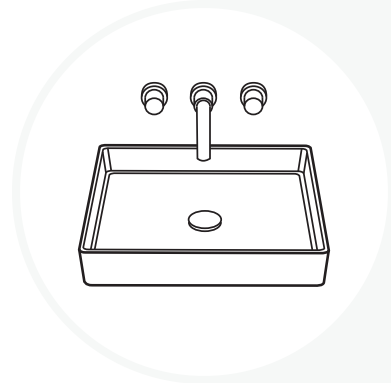
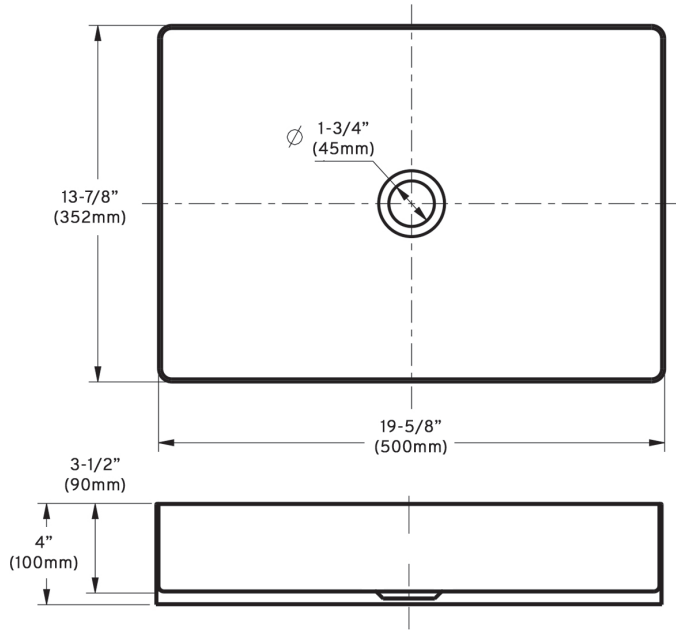
ALDAN IV

OD-5030-BGM | BRUSHED GUNMETAL

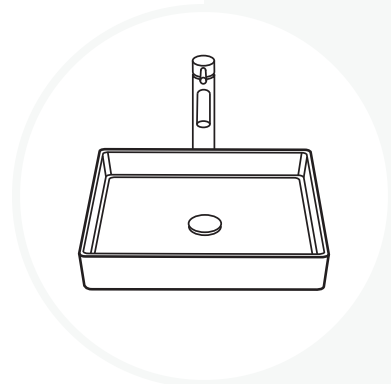
ALDAN | TECHNICAL

19 5/8 in. (500 mm) X 13 7/8 in. (352 mm) X 4 in. (100 mm)

CUPC approved



Installation with wall-mounted faucet



Installation with faucet on countertop



NANO
PROTECTION

The hydrophobic properties of the NANO protection allow droplets to drain directly without spreading on the washbasin's surface.



NANO TECH
COLLECTION

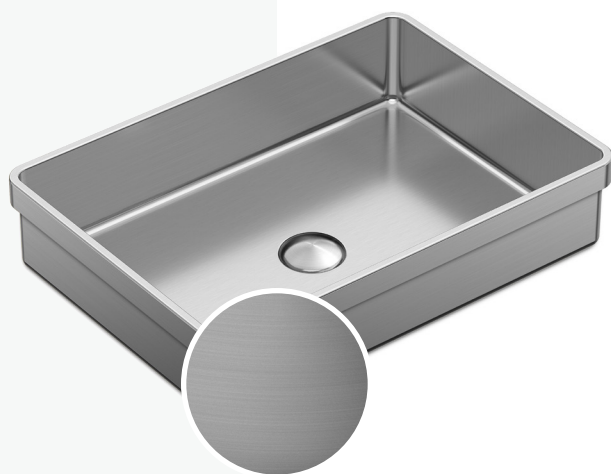
SANAGA



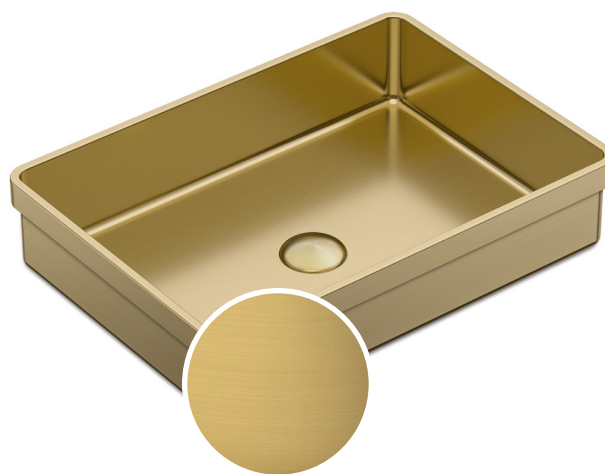
Semi-recessed washbasin without overflow with matching drain without return

*Possibility to choose different drain finishes (sold separately)

*See page F.00



SANAGA I
OD-5035-BR | BRUSHED



SANAGA II
OD-5035-BG | BRUSHED GOLD



SANAGA III
OD-5035-BC | BRUSHED COPPER

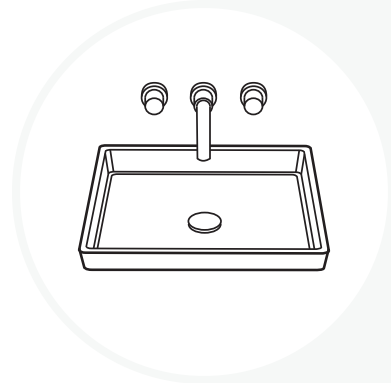
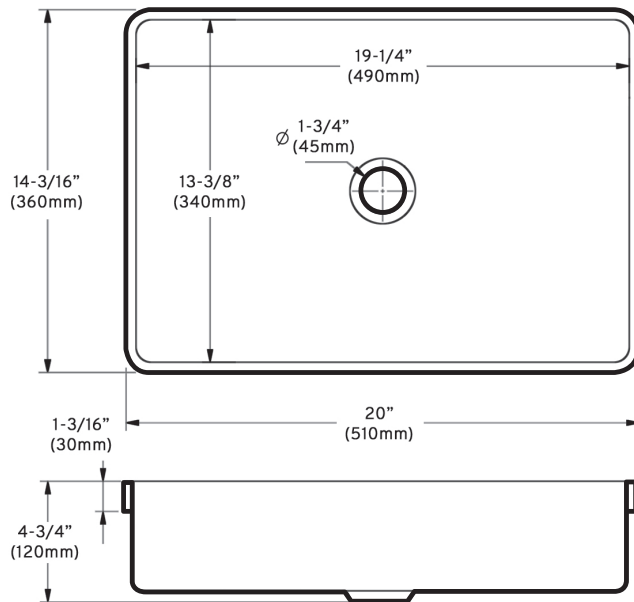


SANAGA IV
OD-5035-BGM | BRUSHED GUNMETAL

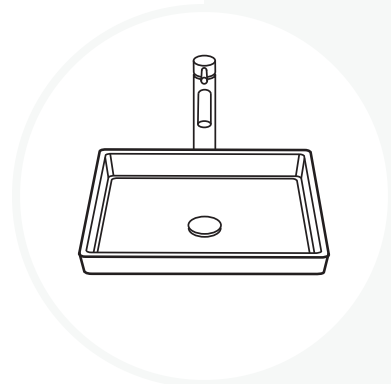
SANAGA | TECHNIQUE

20 in. (510 mm) X 14 3/16 in. (360 mm) X 4 3/4 in. (120 mm)

CUPC approved



Installation with wall-mounted faucet



Installation with faucet on countertop



NANO
PROTECTION

The hydrophobic properties of the NANO protection allow droplets to drain directly without spreading on the washbasin's surface.



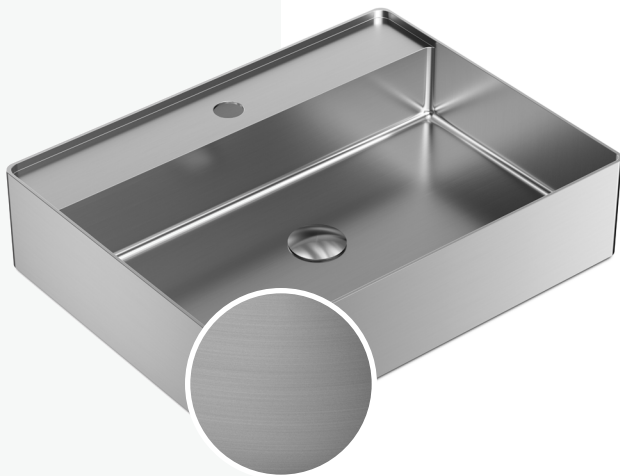
ELBE



Washbasin without overflow with matching drain without return

*Possibility to choose different drain finishes (sold separately)

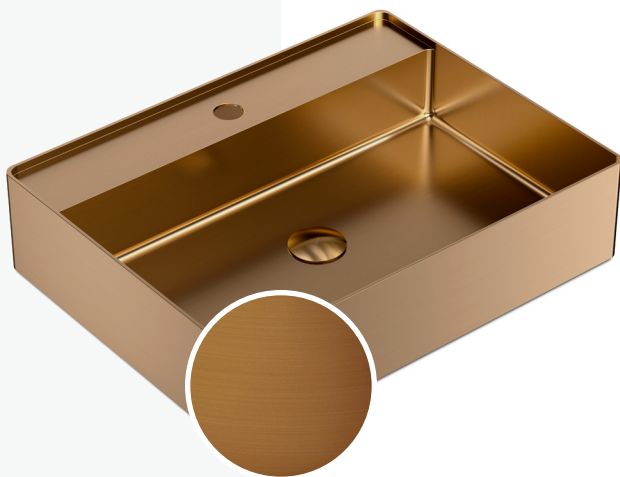
*See page F.00



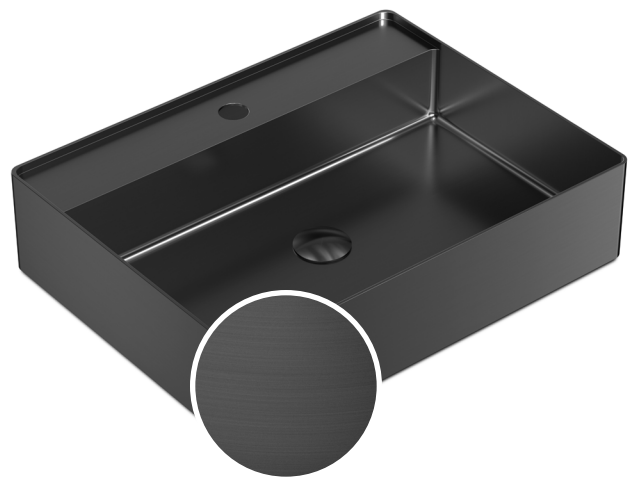
ELBE I
OD-5040-BR | BRUSHED



ELBE II
OD-5040-BG | BRUSHED GOLD



ELBE III
OD-5040-BC | BRUSHED COPPER

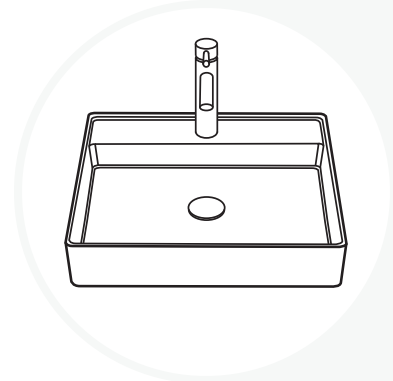
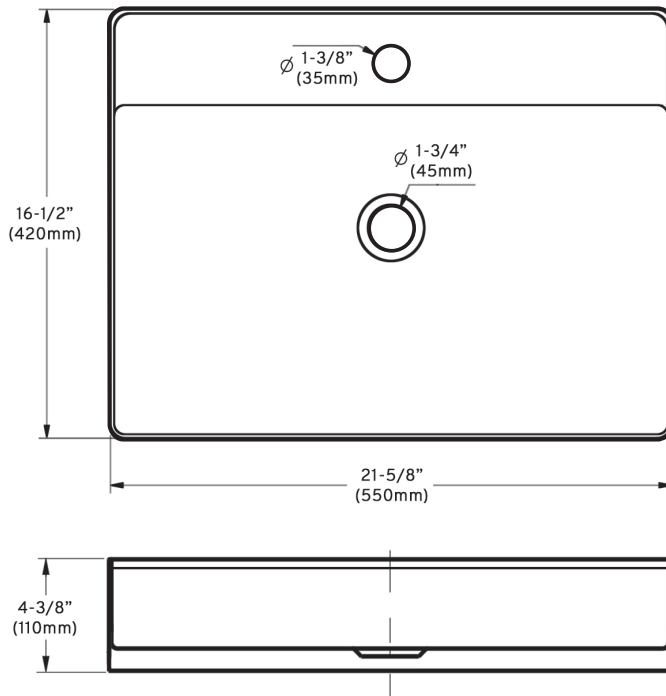


ELBE IV
OD-5040-BGM | BRUSHED GUNMETAL

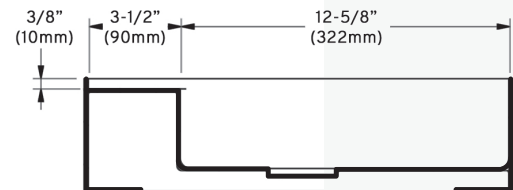
ELBE | TECHNICAL

21 5/8 in. (550 mm) X 16 1/2 in. (420 mm) X 4 3/8 in. (110 mm)

CUPC approved



Installation with faucet on 3-1/2" (90mm) washbasin ledge

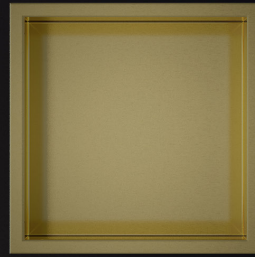


NANO
PROTECTION

The hydrophobic properties of the NANO protection allow droplets to drain directly without spreading on the washbasin's surface.

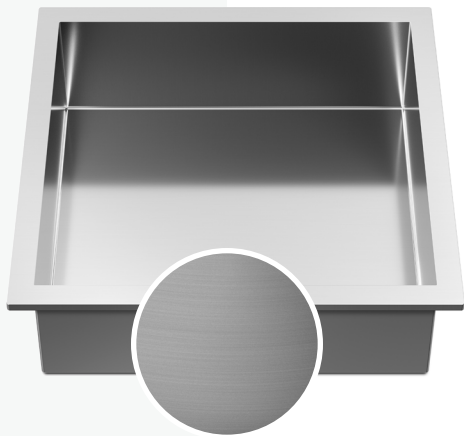


LANA



Wall-mounted niche designed without visible welds

*Made of stainless steel with PVD treatment available in different finishes



LANA I
OD-5510-BR | BRUSHED



LANA II
OD-5510-BG | BRUSHED GOLD



LANA III
OD-5510-BC | BRUSHED COPPER

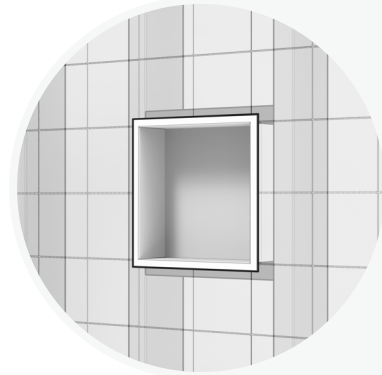
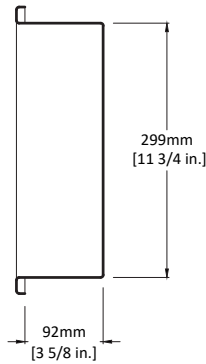
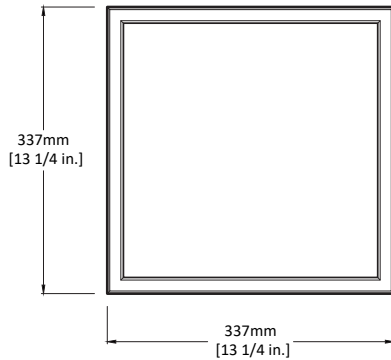
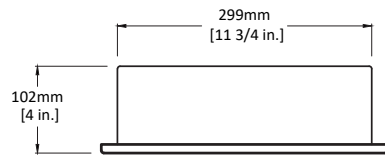


LANA IV
OD-5510-BGM | BRUSHED GUNMETAL

LANA | TECHNICAL

13 1/4 in. (337 mm) X 13 1/4 in. (337 mm) X 4 in. (102 mm)

CUPC approved



Standard recessed installation between studs of a wall built with typical spacings



Horizontal and/or vertical options for multiple design integration



NANO
PROTECTION

The hydrophobic properties of the NANO protection allow droplets to drain directly without spreading on the niche's surface.

LANA LED

Wall-mounted niche with light designed without visible welds

*Made of stainless steel with PVD treatment available in different finishes



LANA LED I
OD-5510L-BR | BRUSHED



LANA LED II
OD-5510L-BG | BRUSHED GOLD



LANA LED III
OD-5510L-BC | BRUSHED COPPER

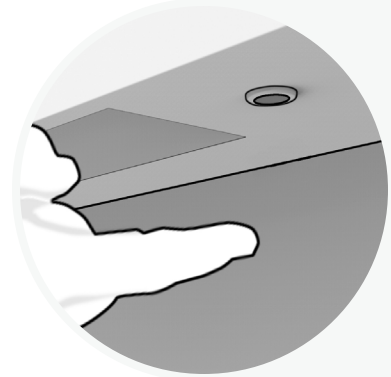
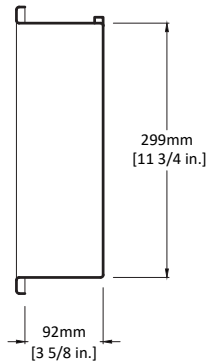
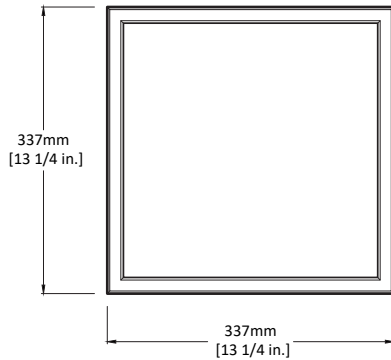
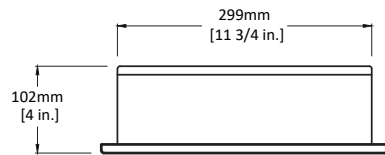


LANA LED IV
OD-5510L-BGM | BRUSHED GUNMETAL

LANA LED | TECHNICAL

13 1/4 in. (337 mm) X 13 1/4 in. (337 mm) X 4 in. (102 mm)

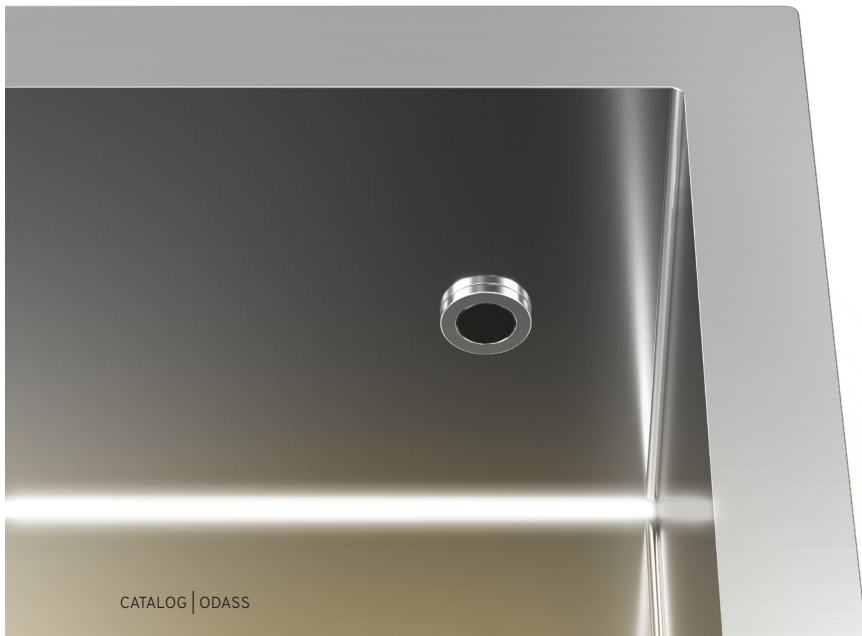
CUPC approved
ETL certified



Movement sensor to turn the light on and off by a sweep of the hand



Transformateur intégré 120 VAC/12 VDC avec fil de 10 pieds pour connecter la niche



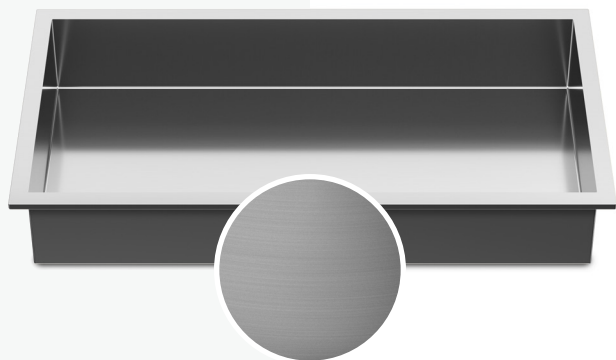
NANO
PROTECTION

The hydrophobic properties of the NANO protection allow droplets to drain directly without spreading on the niche's surface.

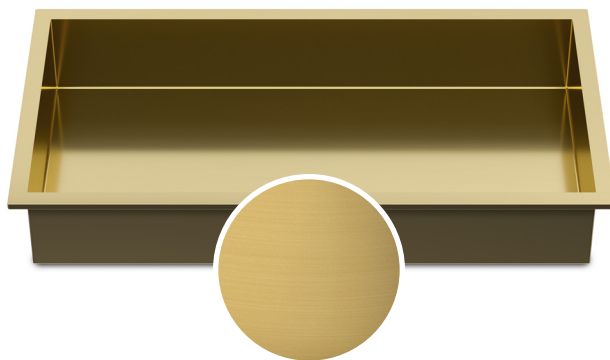
SAVANNAH

Wall-mounted niche designed without visible welds

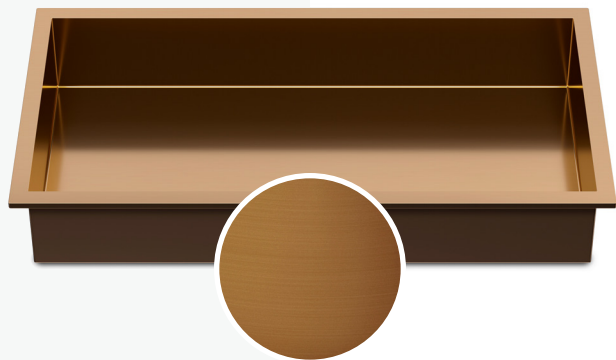
*Made of stainless steel with PVD treatment available in different finishes



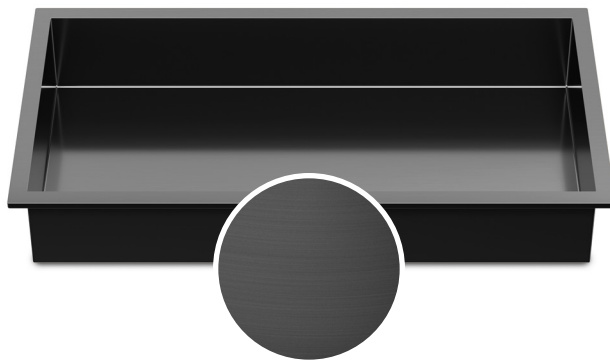
SAVANNAH I
OD-5520-BR | BRUSHED



SAVANNAH II
OD-5520-BG | BRUSHED GOLD



SAVANNAH III
OD-5520-BC | BRUSHED COPPER

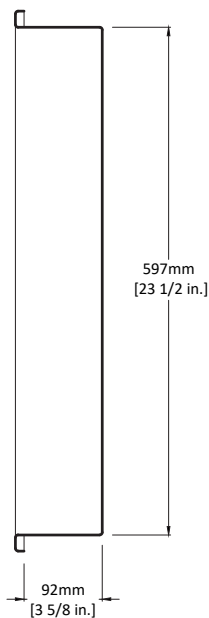
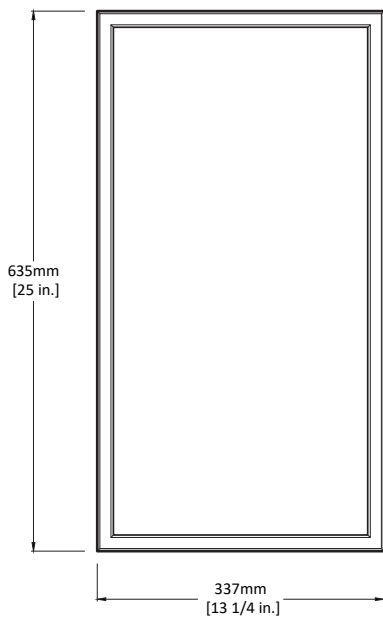
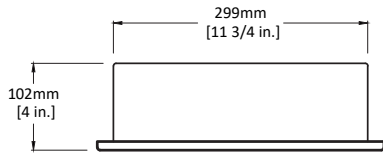


SAVANNAH IV
OD-5520-BGM | BRUSHED GUNMETAL

SAVANNAH | TECHNICAL

25 in. (635 mm) X 13 1/4 in. (337 mm) X 4 in. (102 mm)

CUPC approved



Standard recessed installation between studs of a wall built with typical spacings



Horizontal and/or vertical options for multiple design integration



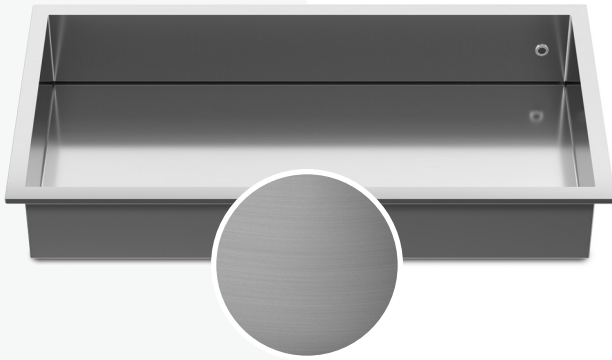
NANO
PROTECTION

The hydrophobic properties of the NANO protection allow droplets to drain directly without spreading on the niche's surface.

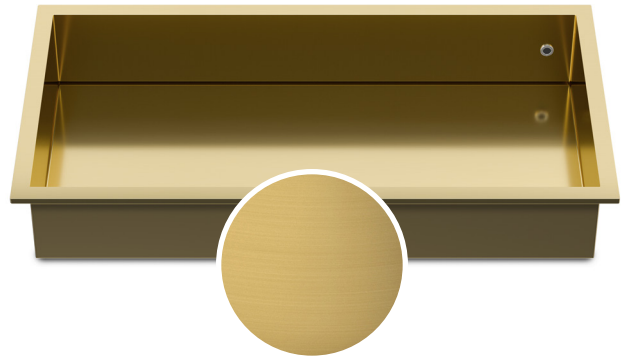
SAVANNAH LED

Wall-mounted niche with light designed without visible welds

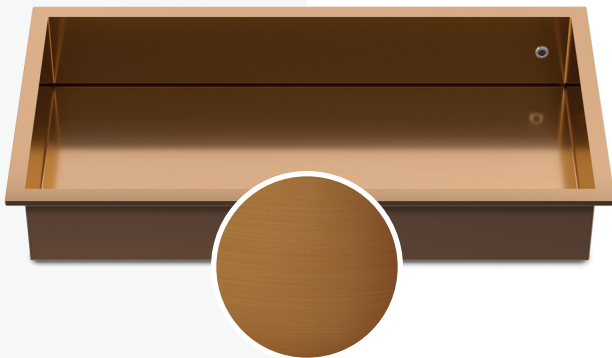
*Made of stainless steel with PVD treatment available in different finishes



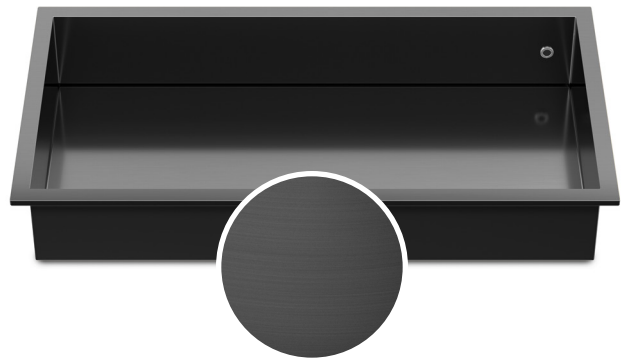
SAVANNAH LED I
OD-5520L-BR | BRUSHED



SAVANNAH LED II
OD-5520L-BG | BRUSHED GOLD



SAVANNAH LED III
OD-5520L-BC | BRUSHED COPPER

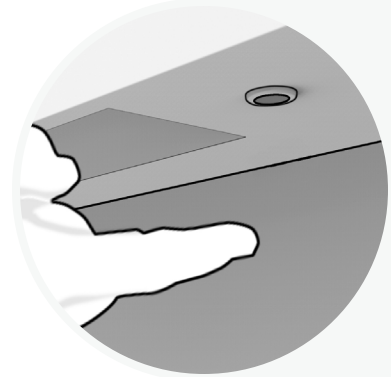
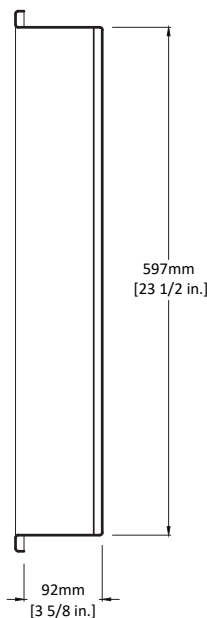
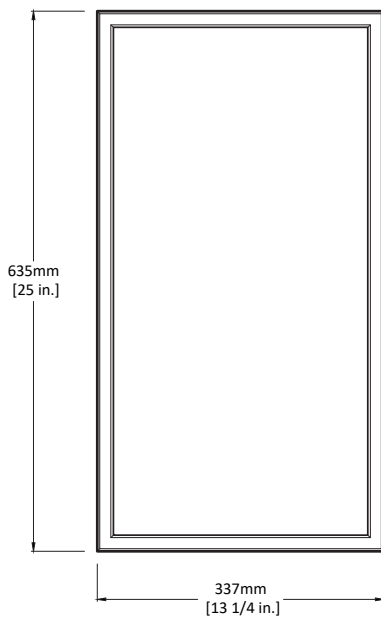
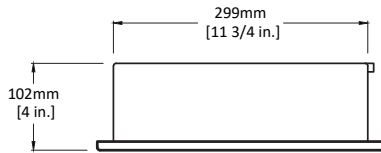


SAVANNAH LED IV
OD-5520L-BGM | BRUSHED GUNMETAL

SAVANNAH LED | TECHNICAL

25 in. (635 mm) X 13 1/4 in. (337 mm) X 4 in. (102 mm)

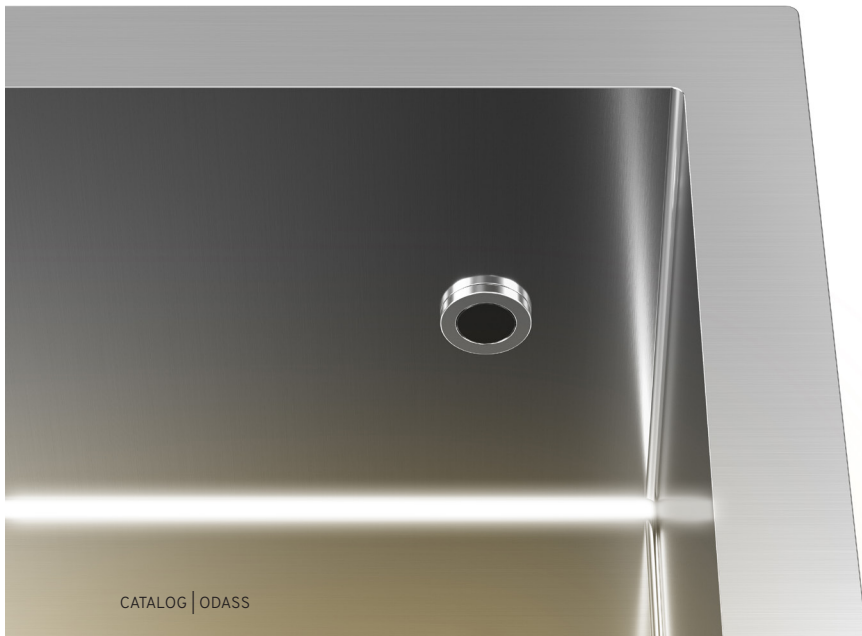
CUPC approved
ETL certified



Movement sensor to turn the light on and off by a sweep of the hand



Built-in 120 VAC/12 VDC transformer with 10' wire to connect the niche

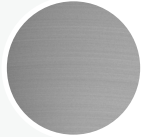


NANO
PROTECTION

The hydrophobic properties of the NANO protection allow droplets to drain directly without spreading on the niche's surface.

DRAINS

Drain with or without return available in different finishes (sold separately)
*Drain with return must be used with a washbasin with an overflow.



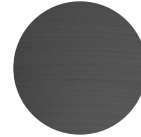
DRAIN WITHOUT RETURN
OD-5090-BR | BRUSHED



DRAIN WITHOUT RETURN
OD-5090-BG | BRUSHED GOLD



DRAIN WITHOUT RETURN
OD-5090-BC | BRUSHED COPPER



DRAIN WITHOUT RETURN
OD-5090-BGM | BRUSHED GUNMETAL



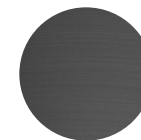
DRAIN WITH RETURN
OD-5095-BR | BRUSHED



DRAIN WITH RETURN
OD-5095-BG | BRUSHED GOLD



DRAIN WITH RETURN
OD-5095-BC | BRUSHED COPPER



DRAIN WITH RETURN
OD-5095-BGM | BRUSHED GUNMETAL



DRAINS | TECHNICAL

2 5/8 in. (67 mm) X 7 5/8 in. (193 mm)

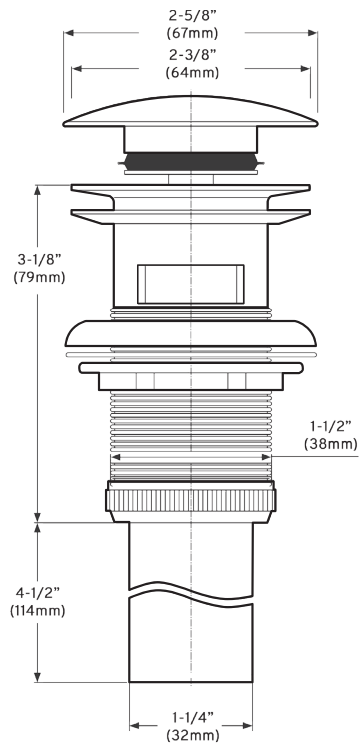
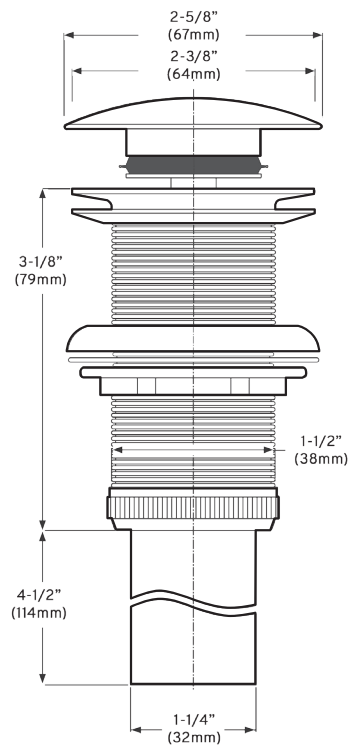
CUPC approved



Washbasin drain without return



Washbasin drain with return



G.

KITCHEN
SINKS





Odass' kitchen sinks are made of high quality white porcelain providing an easy to maintain shine as well as an increased scratch resistance.

The various models are designed with deep basins with reversible aprons. The shaping of the porcelain allows the water temperature to be maintained longer in an antibacterial sink.

KITCHEN
SINKS

NEVA



Double bowl kitchen sink with reversible apron

*Choose between the two surface options : horizontal grooves or the vertical grooves

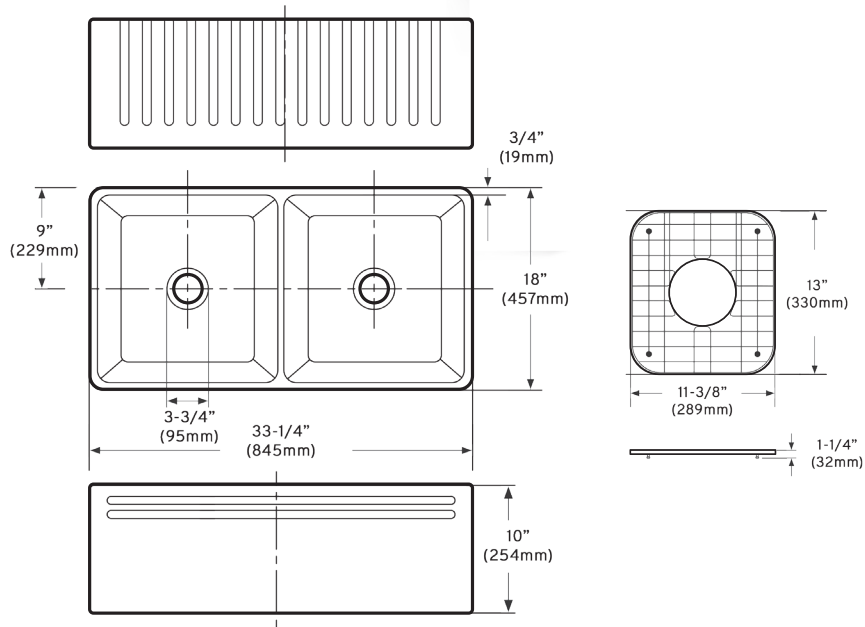


NEVA
OD-4010 | GLOSSY WHITE

NEVA | TECHNICAL

33 1/4 in. (845 mm) X 18 in. (457 mm) X 10 in. (254 mm)

Weight : 95 lb (43 kg)
CUPC approved



Two (2) square grids included



Two (2) LENA I strainers (OD-4015-SS) included

*Various strainer finishes available (sold separately)
*See page G.00

Uppermount installation method with the sink passing over the counter



Undermount installation method with the sink passing under the counter



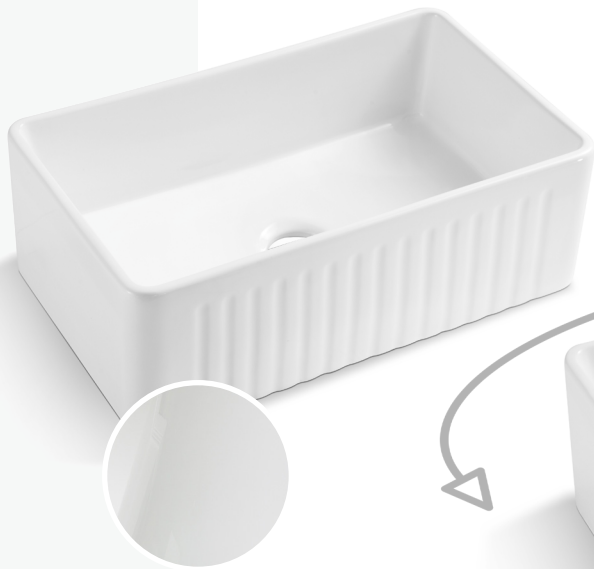
KITCHEN
SINKS

LIRICA



Single bowl kitchen sink with reversible apron

*Choose between the two surface options : horizontal grooves or the vertical grooves



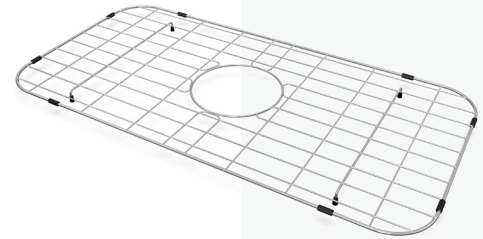
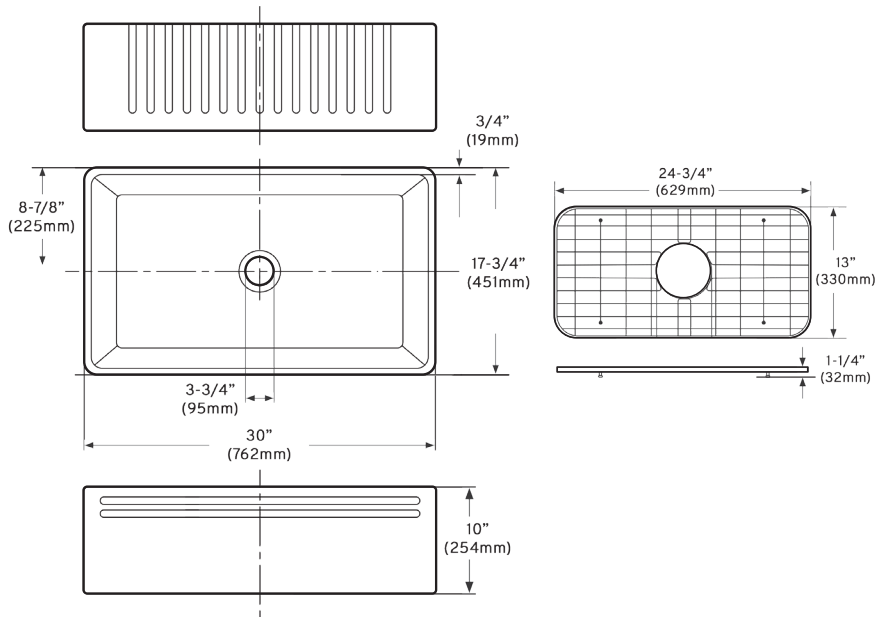
LIRICA
OD-4020 | GLOSSY WHITE



LIRICA | TECHNICAL

30 in. (762 mm) X 17 3/4 in. (451 mm) X 10 in. (254 mm)

Weight : 78 lb (35.5 kg)
CUPC approved



*Various strainer finishes available (sold separately)
*See page G.00

Uppermount installation method with the sink passing over the counter

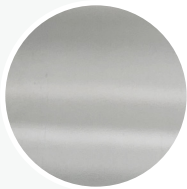


Undermount installation method with the sink passing under the counter

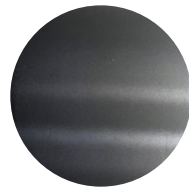


LENA

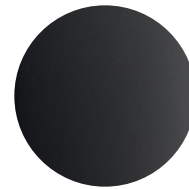
Sink strainer available in different finishes (sold separately)
*Chrome, black, or carbon powder coated stainless steel



LENA I
OD-4015-SS | CHROME



LENA II
OD-4015-MB | BLACK STEEL



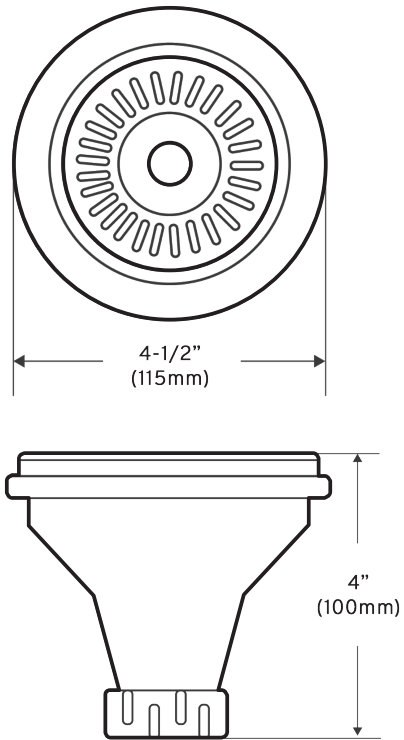
LENA III
OD-4015-MBP | MATTE BLACK



LENA | TECHNICAL

4 1/2 in. (115 mm) X 4 in. (100 mm)

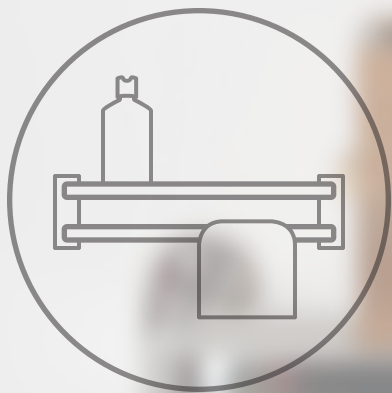
CUPC approved



Strainer exploded view

H. ACCESSORIES





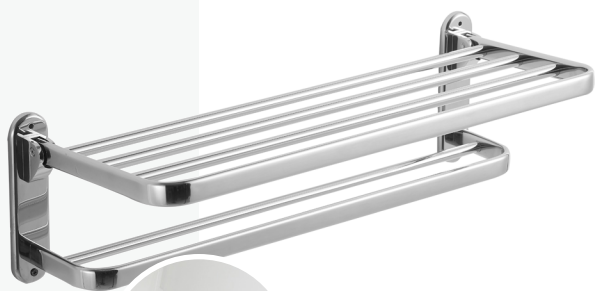
Odass' accessories are carefully selected to offer you practical and durable products to meet the different needs of your living spaces

ORIANA



Towel rack with movable upper tray

*Made of chrome or carbon powder coated stainless steel



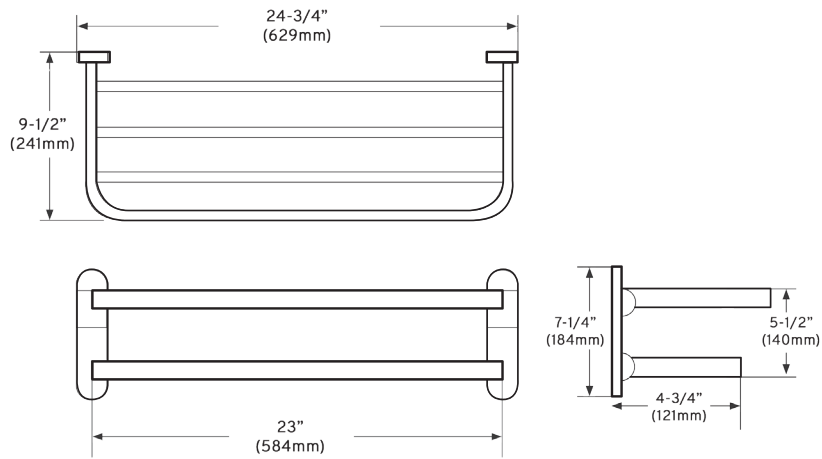
ORIANA I
OD-4080-SS | CHROME



ORIANA II
OD-4080-MB | MATTE BLACK

ORIANA | TECHNICAL

24 3/4 in. (629 mm) X 9 1/2 in. (241 mm) X 7 1/4 in. (184 mm)
Weight : 2.8 lb (1.3 kg)



Upper tray swivel hardware

Tray in perpendicular position
for storage use



Tray in vertical position
for drying use



AUSTRAL



Duo of corner shelves for wall storage

- *Made of chrome or carbon powder coated stainless steel
- *Product always includes a set of two (2) shelves

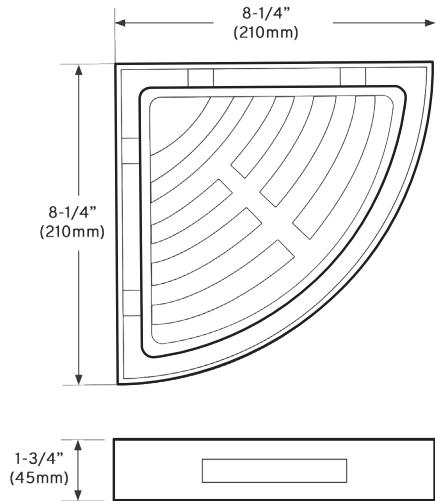


AUSTRAL I
OD-4090-SS | CHROME

AUSTRAL II
OD-4090-MB | MATTE BLACK

AUSTRAL | TECHNICAL

8 1/4 in. (210 mm) X 8 1/4 in. (210 mm) X 1 3/4 in. (45 mm)
Weight : 1.2 lb (0.5 kg)



Raised lip to hold the bottles
and accessories in place



Perforated bottom for
easy water drainage



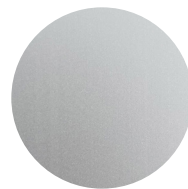
TORQUAL



Electric clothes dryer with three (3) levels

Aluminum composition with integrated heating wires allows an even heat distribution to the different levels and ensures a non-aggressive drying for the fabrics.

Integrated programmable timer with low energy consumption offers an on/off, 2h and 4h mode at a maximum temperature of 45 to 55°C (113 to 131°F).



TORQUAL
OD-0703-AL | ALUMINUM

TORQUAL | TECHNICAL

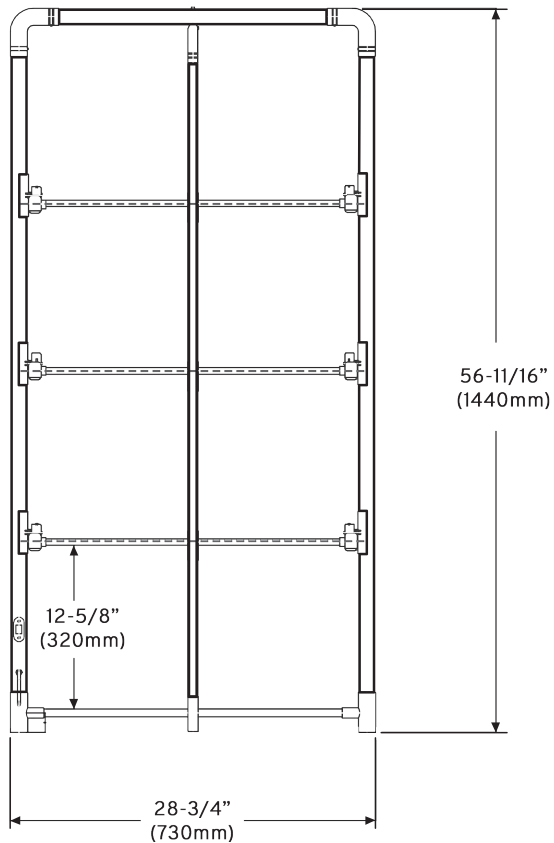
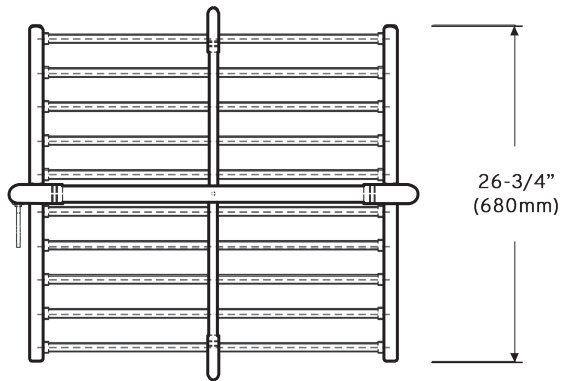
28 3/4 in. (730 mm) X 26 3/4 in. (680 mm) X 56 11/16 in. (1440 mm)

AC 120V - 300W - 60Hz

Protection rating : IP 44

Weight : 9 lb (4.5 kg)

ETL certified



Large drying area
on each level



Cover included to increase
drying efficiency



Folds vertically for
easy storage



I.

APPENDICES

odass



The appendices include additional information on the products. Please always refer to the versions available on our website (www.odass.ca). They are updated regularly.

TABLE OF WARRANTIES

	2 years	3 years	5 years	10 years	20 years	Life
ACRYLIC BATHTUBS						
- White finish	■	■	■	■	■	
- Particular finish	■	■				
TOWEL WARMERS						
- Finishes	■	■	■			
- Electrical components	■					
- Structure	■	■	■	■	■	■
WALL-MOUNTED NICHES						
- Finishes	■	■	■			
PORCELAIN PRODUCTS						
- White finish	■	■	■			
- Glossy white finish	■	■	■			
- Matte black finish	■	■				
NANO TECH PRODUCTS						
- Finishes	■	■	■			
- NANO protection	■					
- Electrical components	■	■	■			
PURE SURFACE PRODUCTS						
- Matte white finish	■	■	■	■		
- Matte black finish	■	■				
- Electrical components	■	■				
SHOWER COLUMN						
- Hand shower head	■					
- Cartridge	■	■	■	■	■	■
- Chrome components	■	■	■			
LED MIRRORS						
- Glass	■					
- Electrical components	■	■	■			
TOWEL RACKS						
- Finishes	■	■	■			

WARRANTIES (CONTINUED)

ACRYLIC BATHTUBS

Odass offers a 20-years limited warranty* on white acrylic bathtubs and a 3-years limited warranty* on particular bathtub finishes (matte black) against defects in materials or workmanship under normal use and service from the original purchasing date of the product by the owner/user, contractor, or manufacturer.

TOWEL WARMERS

Odass offers a 2-years limited warranty* on electrical components and a 5-years limited warranty* on all finishes (chrome, brushed, matte black, and matte white) against defects in materials or workmanship under normal use and service from the original purchasing date of the product by the owner/user, contractor, or manufacturer.

WALL-MOUNTED NICHES

Odass offers a 5-years limited warranty* on all steel niche finishes against defects in materials or workmanship under normal use and service from the original purchasing date of the product by the owner/user, contractor, or manufacturer.

PORCELAIN PRODUCTS

Odass offers a 5-years limited warranty* on the glossy white and matte white finishes of porcelain products (washbasins, and sinks) and a 3-years limited warranty* on the matte black finish of porcelain products (washbasins, and sinks) against defects in materials or workmanship under normal use and service from the original purchasing date of the product by the owner/user, contractor, or manufacturer.

NANO TECH COLLECTION PRODUCTS

Odass offers a 5-years limited warranty* on all Nano Tech Collection stainless steel washbasin and niche finishes with 2-years on the Nano protection, and a 5-years limited warranty* on the electrical components against defects in materials or workmanship under normal use and service from the original purchasing date of the product by the owner/user, contractor, or manufacturer.

PURE SURFACE COLLECTION PRODUCTS

Odass offers a 10-years limited warranty* on the matte white finish of Solid Surface Istone products, a 3-years limited warranty* on the matte black finish of Solid Surface Istone products, and a 3-years limited warranty* on the electrical components of the niches against defects in materials or workmanship under normal use and service from the original purchasing date of the product by the owner/user, contractor, or manufacturer.

SHOWER COLUMN

Odass offers a 10-years limited warranty* on the matte white finish of Solid Surface Istone, a 3-years limited warranty* on the matte black finish of Solid Surface Istone, an a 5-years limited warranty* on the chrome finish of Solid Surface Istone against all manufacturing defects. The cartridges have a lifetime limited warranty* and the raw material has a 5-years limited warranty*. The hand shower head and hose are warranted for 2-years against defects in materials or workmanship under normal use and service from the original purchasing date of the product by the owner/user, contractor, or manufacturer.

LED MIRRORS

Odass offers a 5-years limited warranty* on electrical components, and a 2-years limited warranty* on the glass against defects in materials or workmanship under normal use and service from the original purchasing date of the product by the owner/user, contractor, or manufacturer.

TOWEL RACKS & SHELVES

Odass offers a 5-years limited warranty* on chrome and matte black towel rack and shelves finishes against defects in materials or workmanship under normal use and service from the original purchasing date of the product by the owner/user, contractor, or manufacturer.

IMPORTANT

*Please always refer to the most up-to-date versions available on our website (www.odass.ca)

PRODUCT CERTIFICATIONS

Most of our products are certified and meet the North American standards in force within the industry.

ETL



ETL listed marks indicate that the product has been tested by an accredited third party laboratory for applicable product standards (ANSI, UL, CSA, ASTM, NFPA) and safety requirements for sale and distribution in North America.

ETL (Electrical Testing Laboratories) is a private, independent organization that has been active for over 100 years. It is a reference in the field of safety.

CUPC



Designated as an American National Standard, the Canadian Uniform Plumbing Code (CUPC) is a model code developed by the International Association of Plumbing Officials as a means to promote public health, safety, and welfare. CUPC certification is designed to provide consumers with safe and sanitary plumbing systems while allowing room for innovation and new technologies.

UL



The UL brand is a certification issued by Underwriters Laboratories. It is a non-profit testing laboratory and one of the most recognized standards organizations in Canada and the United-States. Representing a guarantee of confidence, safety, and peace of mind for consumers, UL certification is voluntary but its notoriety makes it indispensable for electrical and electronic products.

odass

