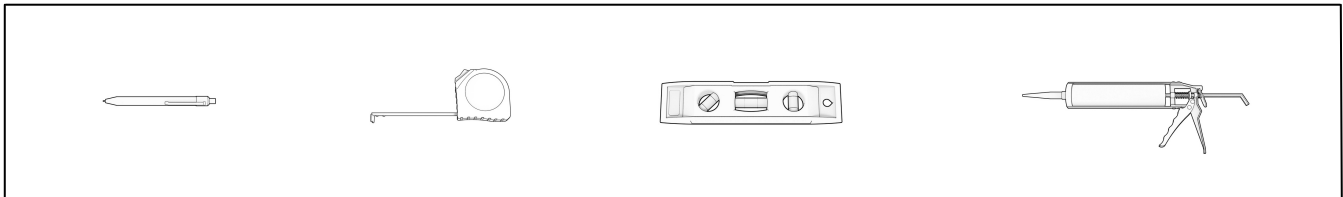


# Instruction manual bath

Material : acrylic



As an indication, we advise you that this bathtub is heavy. Have another person help you lift and move this tub.

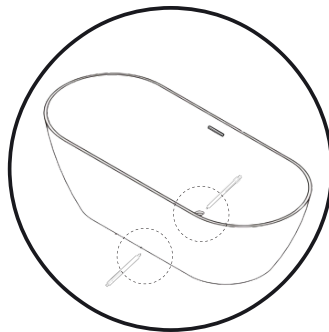
Read all the instructions carefully before beginning installation.

#### IMPORTANT POINTS TO REMEMBER

- Provide adequate floor support.
- Make sure the subfloor is level.
- Provide access to all plumbing connections.
- Comply with building and plumbing codes.

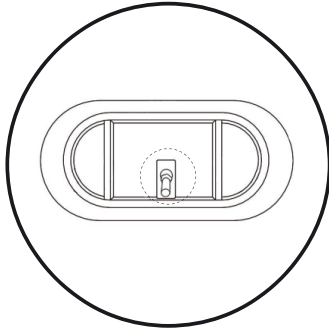
It is recommended that the installation of the tub be carried out by a professional.

## Installation bath



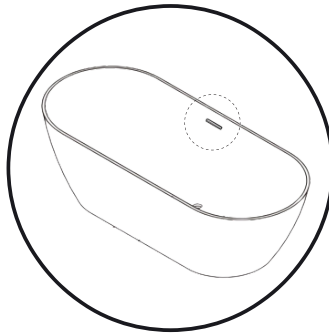
1. Clean, level and prepare the floor for installation. Place the tub in the appropriate location on the floor and trace the outline of the tub using a pencil or a marker. Then mark the location of the drain on the ground.

# Installation bath

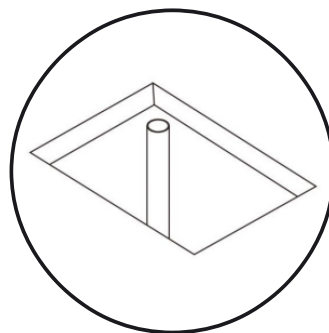


2. A drain is already installed on the bath. It is possible to change it for a drain of another finish (other finishes available as options). If you do not change the drain go to step 4.

Using a clean blanket, cardboard or other protective surface, turn the bath on its side so that it is properly supported during drain installation.

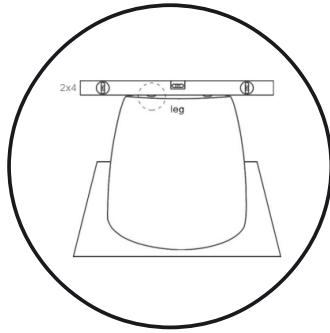


3. Install the exposed overflow plate. Refer to plan 3 b. of the bath drain at the bottom of the manual.



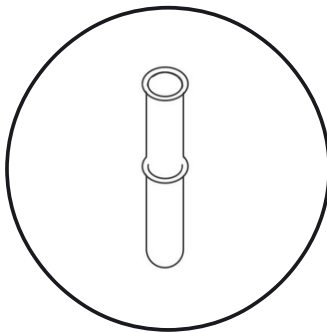
4. Before drilling a hole in the floor for the drain pipe, make sure there is nothing underneath (pipes, floor joints, heating ducts, electrical wires).

# Installation bath

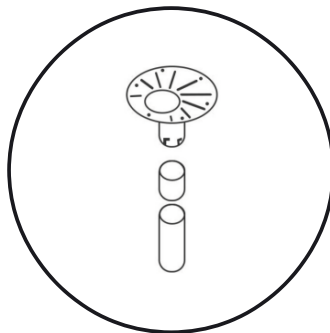


5. Place the bath upside down on a clean, smooth surface to protect the bathtub. Adjust the legs of the bath so they protrude 1/8 inch from the base of the bath.

Turn the tub over to make sure it is stable on the floor. Check that all the legs are in contact with the ground.



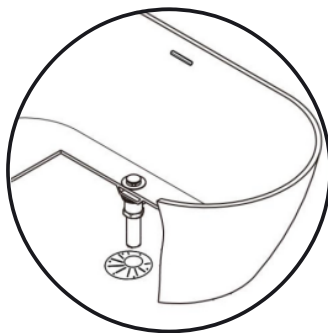
6. Attach the 1 1/2 inch female pipe thread to the 1 1/2 inch male tub drain (female pipe not included).



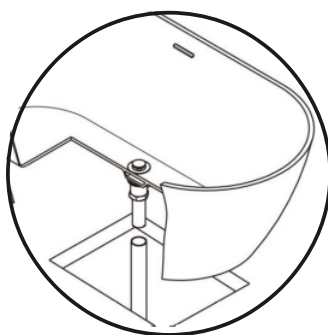
7. If you purchased a drop-in drain, you must install it at this stage. Please refer to the drain installation guide before installing the tub and continue to step 8.

If you don't have a drop-in drain, skip to step 9.

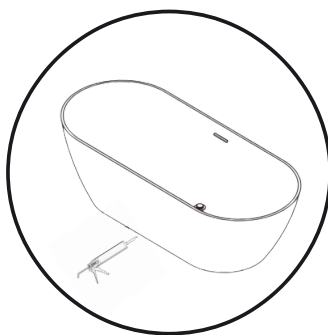
# Installation bath



8. Carefully place the tub in its final position. Proceed to step 10.

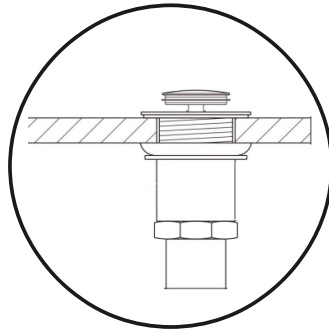


9. Carefully place the bathtub and connect the drain to the plumbing (previously installed). Complete the installation of the mounting piece.



10. Fill the bathtub with water to the overflow, then empty it while inspecting the drain fittings located under the floor to check for potential water leaks.

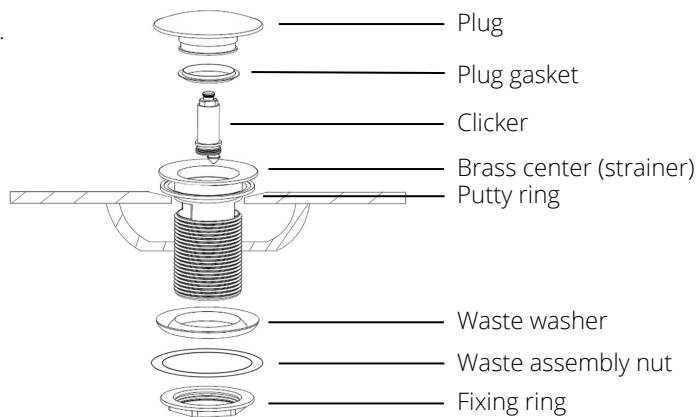
# Installation bath



11. Now that the tub is in place, wipe away any excess glue and caulk around the tub. Apply the silicone to the base of the tub. Please wait 24 hours before using the tub.

## Bath drain

3 b.



### MAINTENANCE

Clean only with a damp cloth and mild soap. Avoid using metallic or abrasive bristles.

NEVER USE ABRASIVE POWDER (VIM, AJAX, COMET, ETC.), PETROLEUM DISTILLANT OR OTHER STRONG SOLVENTS TO CLEAN THE BATHTUB.

### STAIN CLEANING

Use isopropyl alcohol to try to remove a particularly stubborn stain on the bath (isopropyl alcohol is toxic; follow the safety instructions on the container and wear rubber gloves).

### REPAIR

Minor scratches: Superficial scratches can be removed with car wax (NuFinish, Meguiar) or polishing paste (compound).

Major Repair: Major damage including deep scratches, chips and splits can often be repaired by a professional.

### LIMITED WARRANTIES

Odass guarantees for a period of 20 years the white acrylic baths and guarantees 3 years the special finishes of the baths, against all defects in materials or workmanship under normal use and maintenance from the date of original purchase of the product by the owner/user, contractor or builder.