

Towel warmer instruction manual

Model OD-0604

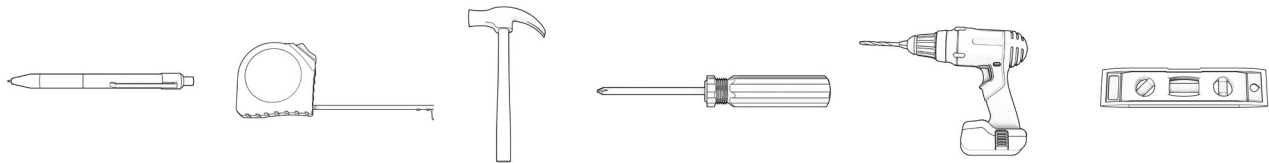
SPECIFICATION

Voltage: AC 120V Frequency: 60Hz

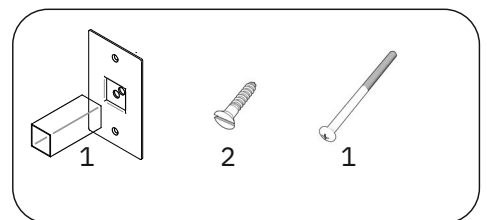
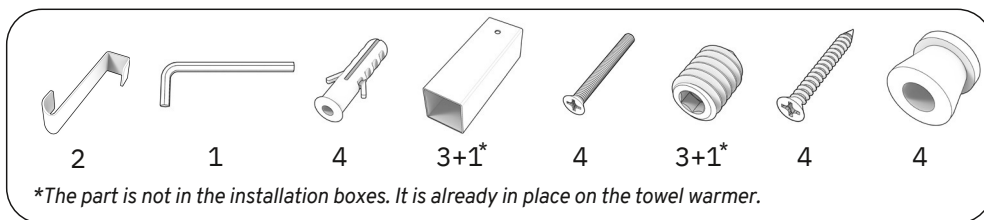
Rated power: 65 W (OD-0604-SS/BR) | 80 W (OD-0604-MB/MW)



This towel warmer is intended for bathroom. Read the instructions carefully before using.



Hardwired installation



Please use the services of a certified electrician for the hardwire installation of this product.

Plug the power cord into an electrical outlet for product testing before using.

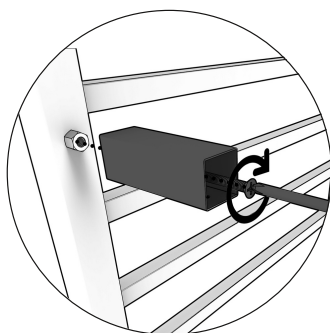
For the apparent wire installation of this product, please verify that the junction box gives 120 V.

The drying temperature can be set between 30° and 60 degrees Celsius (86 to 140 °F).

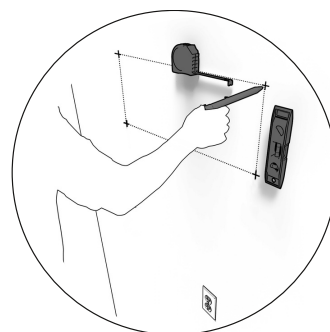
The timer can be set between 1 hours to 8 hours. Touch the screen to select the duration of the drying.

The towel warmer must not work without being tented. Please turn it off and take the plug out from the outlet if it is not being use.

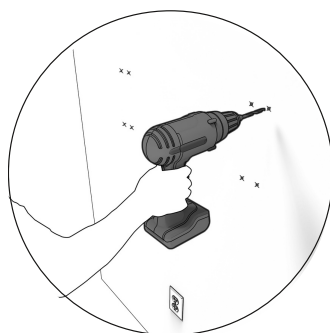
Plug-in installation instructions



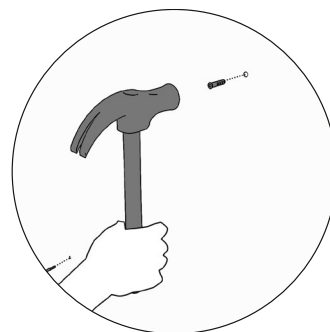
1. Rivet the base onto the nut with fixing screw.



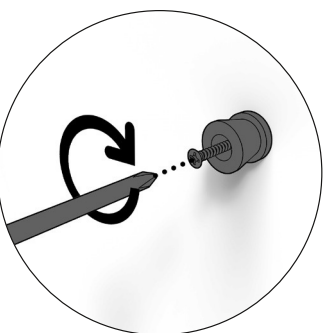
2. Identify the location of the holes needed to screw the product on the wall.



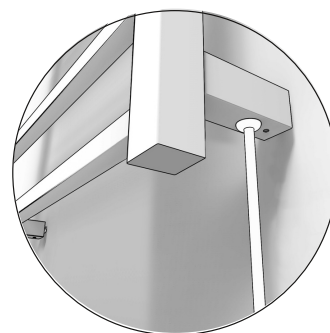
3. Drill holes in the wall.



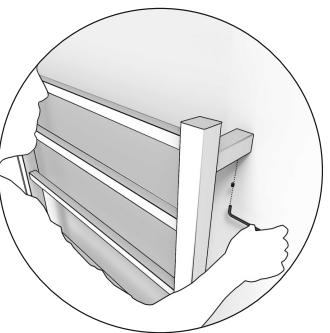
4. Insert screw anchor into the holes.



5. Install stopper with screw on the wall.



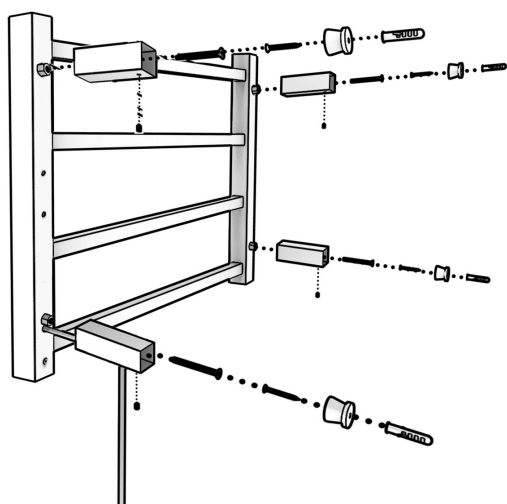
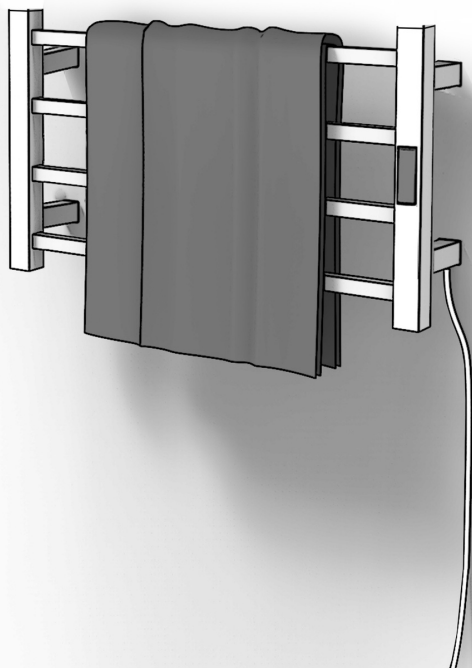
6. The supply cable should exit at the back part of the product.



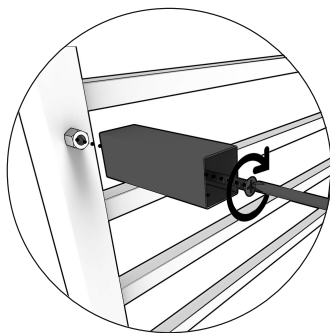
7. Rivet the puller bolt with the fixed stopper through allen key.



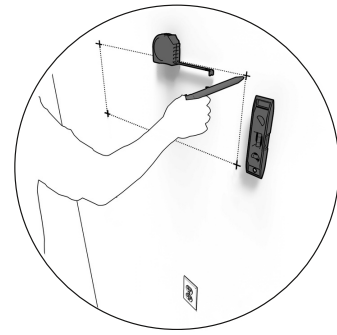
8. Press the button to turn the device ON or OFF. Select the drying temperature between 30° and 60 degrees Celsius (86 to 140 °F). Select the drying time from 1 hour to 8 hours.



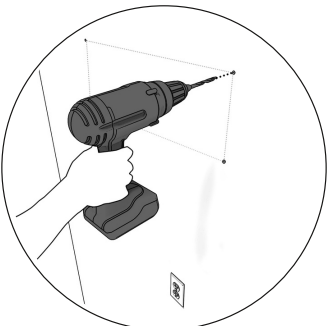
Hardwire installation instructions



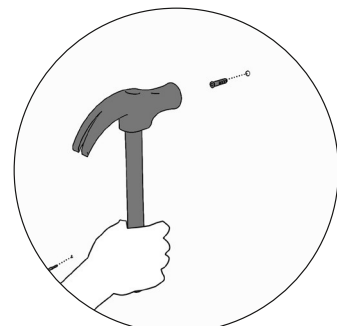
1. Rivet the base onto the nut with fixing screw.



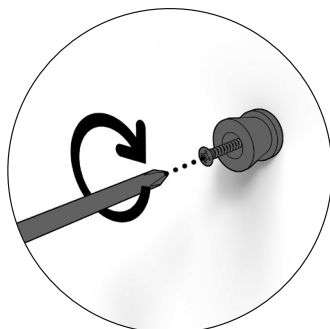
2. Identify the location of the holes needed to screw the product on the wall.



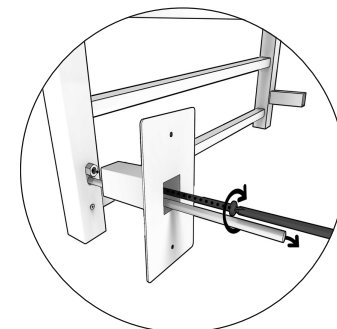
3. Drill holes in the wall.



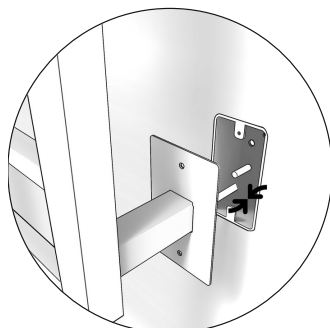
4. Insert screw anchor into the holes.



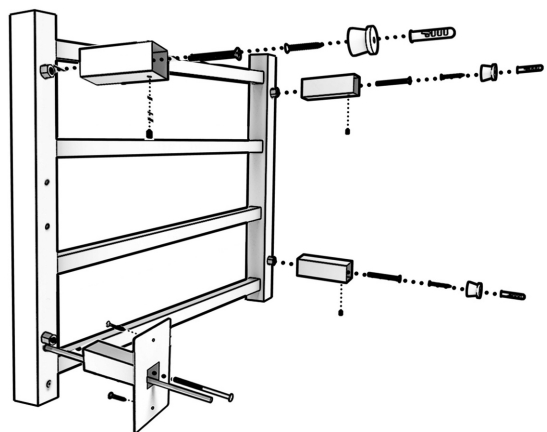
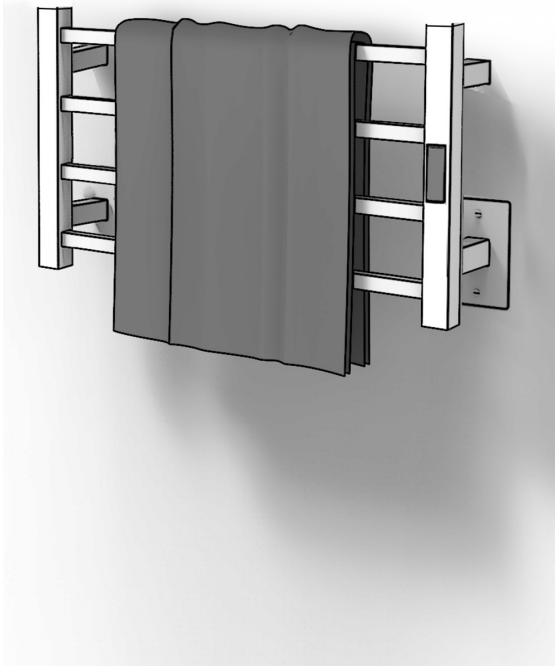
5. Install stopper with screw on the wall.

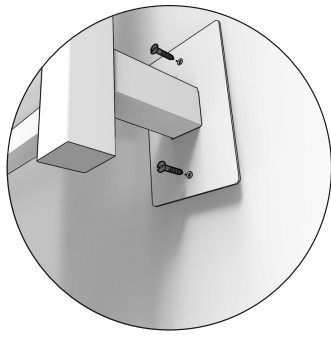


6. Cut the supply cable. Make sure you keep enough wire to go through the tube and to plug into the junction box. Remove the already existing tube to replace it with the one provided in the box of the hardwire installation.

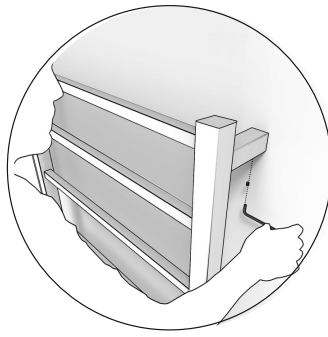


7. Pass the supply cable through the tube provided for this purpose and pass the wire through the plate.





8. Connect the supply cable to the junction box and fix the plate onto the junction box.

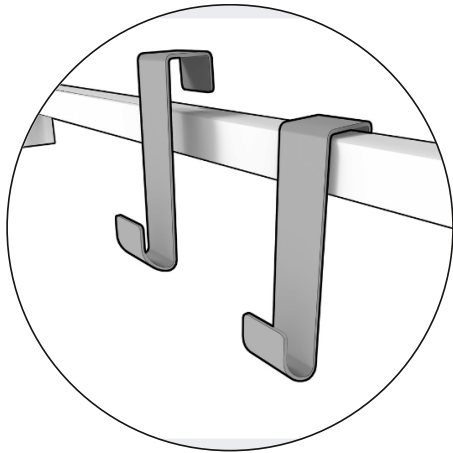


9. Rivet the puller bolt with the fixed stopper through allen key.



10. Press the button to turn the device ON or OFF. Select the drying temperature between 30° and 60 degrees Celsius (86 to 140 °F). Select the drying time from 1 hour to 8 hours.

Usage of the hooks



Move carefully the hooks when removing them from the bars of the towel warmer.



IMPORTANT SAFEGUARDS

Read all instructions before using this heater.

Extreme caution is necessary when the towel warmer is used by or near children or people with disabilities when unattended.

The device is designed only for drying wet fabrics.

The heater should be installed at a minimal distance of 0,6 meters from a bathtub or a shower.

If the supply cable is damaged, it should be replaced by the manufacturer, manufacturing agent or any qualified person to avoid potential dangers.

Always unplug heater when not in use.

Do not operate the heater with a damaged cord or plug or if the heater has malfunctions, has been dropped or damaged in any manner.

Return heater to authorized service facility for examination, electrical or mechanical adjustment, or repair.

Do not use outdoors.

Never place the heater where it may fall into a bathtub or other water containers.

Do not run cord under carpeting. Do not cover cord with throw rugs, runners, or anything of that sort. Place the cord away from areas prone to circulation and where it will not be tripped over.

Do not insert or allow foreign objects to enter any ventilation or exhaust opening as this may cause an electric shock, fire or damage the heater.

Do not use it in area where gasoline, paints, or flammable liquids can be found.

Use this heater only as described in this manual. Any other use is not recommended by the manufacturer. It may cause fires, electric shocks, or injuries to persons.

Keep these instructions for later reference.

Warning:

THIS HEATER ONLY OPERATES IN UPRIGHT POSITION.

STORE THE HEATER IN A COOL and DRY LOCATION WHEN NOT IN USE.

DO NOT STORE UNTIL THE HEATER HAS COMPLETELY COOLED OFF.

ANY OTHER SERVICING SHOULD BE PERFORMED BY AN AUTHORIZED SERVICE REPRESENTATIVE

THE HEATER MUST NOT BE LOCATED IMMEDIATELY BELOW A SOCKET-OUTLET.

This appliance is not intended to be used by people with disabilities, children, or people who lack experience and knowledge in this field, unless there is a certified supervisor giving that person direct instructions on how to correctly use, fix and install the appliance. Children should be supervised at all times to ensure that they do not play with the products.

PRODUCT MAINTENANCE

To keep the device clean, regular maintenance is suggested.

To remove dust, use a soft cloth.

To remove a stain, dampen the cloth. For better efficiency of the device, it is advisable to remove dust and foams which can accumulate regularly. Never use abrasive or acetone-based products.

LIMITED WARRANTIES

Odass warrants the product to be free from defects in workmanship from the date of purchase. These warranties extend only to the original owner/end-user for personal household use and start from the date of purchase/billing. This warranty cannot be transferred to a third party and additional limitations apply for commercial use. In the eventuality that a manufacturing defect appears, the owner/ enduser must have in his possession, a proof of purchase as well as a proof of installation by a professional recognized by the construction industry. Odass reserves the right to inspect on site, the defect by a representative of their choice. Any return of goods will not be accepted without the written authorization from Odass. Odass cannot be held responsible for the defects or damage resulting from any accident, catastrophe, abuse, negligence, improper installation/use/maintenance, intensive variations of temperature, exposures to chemicals or stains caused by different types of water such as ferrous or alkaline water, etc. The use of abrasives of any kind, gritting scraper, brushes or any other scouring object which can damage the surface of the product is to be proscribed and will cancel the present warranty. Odass will be repaired or replaced (with a product of equal value) to her discretion of any product reported to the authorized dealer or to Odass as being defective within the warranty period. Neither the distributor, authorized Odass dealer nor any other person has

been authorized to make any affirmation, representation or warranty other than those contained in the warranty; any affirmation, representation or warranty other than those contained in this warranty shall not be enforceable against Odass or any other person. This warranty excludes any expenses related to shipping, handling and/or installation fees. Odass cannot be held responsible for the fees of labor, wastes of time, expenses of sundries or replacement of installation material, including, but not limited to, tiles, marble, etc. Odass reserves the right to modify this warranty at any time, it being understood that such modification will not alter the warranty conditions applicable at the time of the sale of the products in question.

LIMITED WARRANTIES

Odass guarantees the chrome and brushed finish of stainless steel products for a limited lifetime and a 5 year warranty on the matte black finish of stainless steel products to be free from defects in workmanship and materials under normal use and service from the initial date of purchase by the owner/end-user, contractor or builder. Odass guarantees all material made of solid surface «l-stone» for a limited lifetime to be free from defects in workmanship and materials under normal use and service from the initial date of purchase by the owner/end-user, contractor or builder. Odass warrants for a period of 10 years, acrylic units to be free from defects in workmanship and materials under normal

use and service from the initial date of purchase by the owner/end-user, contractor or builder. Odass warrants for a period of 10 years, shower doors to be free from defects in workmanship and materials under normal use and service from the initial date of purchase by the owner/end-user, contractor or builder. Odass warrants for a period of 5 years, sanitary porcelain products (toilet, lavatorie basins) to be free from defects in workmanship and materials under normal use and service from the initial date of purchase by the owner/end-user, contractor or builder. Odass warrants for a period of 2 years, storage modules and vanities to be free from defects in workmanship and materials under normal use and service from the initial date of purchase by the owner/end-user, contractor or builder. Odass warrants for a period of 2 years, glass mirrors to be free from defects in workmanship and materials under normal use and service from the initial date of purchase by the owner/end-user, contractor or builder. Odass warrants for a period of 2 years, electrical components to be free from defects in workmanship and materials under normal use and service from the initial date of purchase by the owner/end-user, contractor or builder.