

# Washbasin instruction manual

Material: Istone solid surfacel



Read the instructions carefully before you start to install.

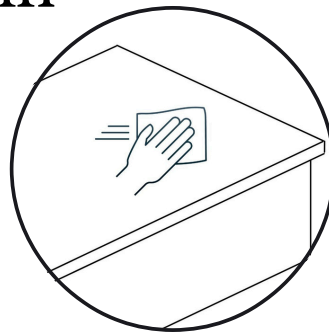
Comply with building and plumbing codes.

**WARNING**

Handle with care. Product may break or cause injury if not handled carefully.

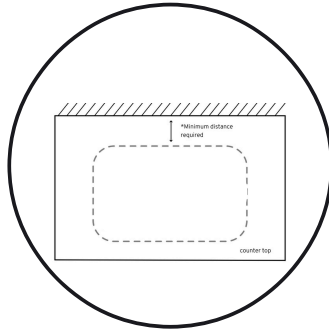
Tighten the drain carefully to not damage the sink. It could break.

## Installation of the washbasin

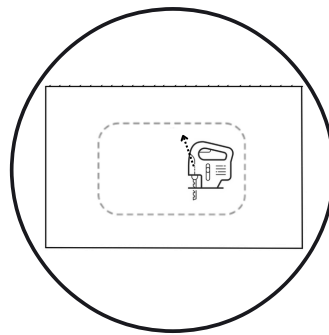


1. Thoroughly clean the surface of the counter to be drilled.

# Installation of the washbasin

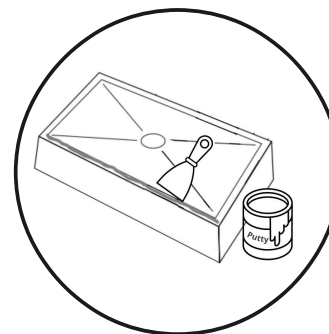


2. Trace the dimensions of the holes to be drilled in the counter. Measure the space required for the installation of the drain and faucets.



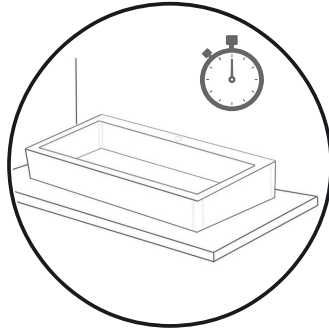
3. Cut the opening using a jigsaw. Use a soft cloth between the surface of the counter and the saw to not damage or scratch the counter.

Make sure you have the necessary space under the counter for the drain and the piping.

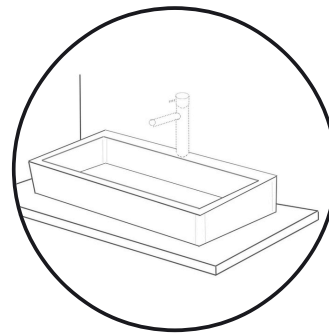


4. Apply plumber's putty along the inside edge. Place the washbasin in the desired location. Press firmly to spread the sealant and immediately wipe off the excess with a damp cloth.

# Installation of the washbasin



5. Let the putty dry for a few hours before connecting the water supply and drain pipes.



6. Install the faucet and drain following the instructions provided. Tighten the drain carefully to the washbasin to avoid breaking the latter.

## **MAINTENANCE**

Wipe the surface with a soft cloth after each use. Use mild cleaning products. For tougher stains, use a mildly abrasive cream cleaner. Never use petroleum-based products for cleaning, such as paint thinners or other solvents, as they can damage the solid surface.

## **LIMITED GUARANTEE**

Odass warrants the finish of the stainless steel washbasin against all defects in materials or workmanship under normal use and service for 5 years from the date of original purchase of the product by the owner/user, contractor or builder.