

INSTALLATION INSTRUCTIONS WASHBASINS

1. Tools and material needed (Not included)



Drain with P-trap



Faucet



Hose for water inlet
for cold water and hot water

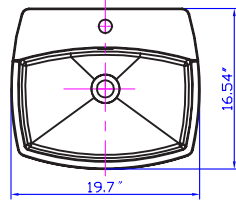
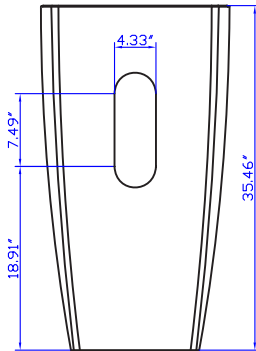


Silicon

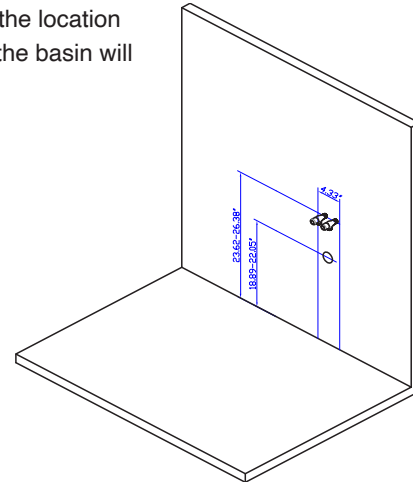


Wrench

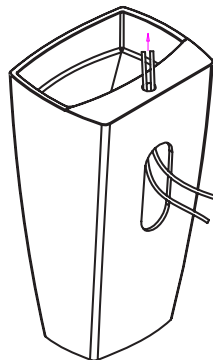
2. Check the product



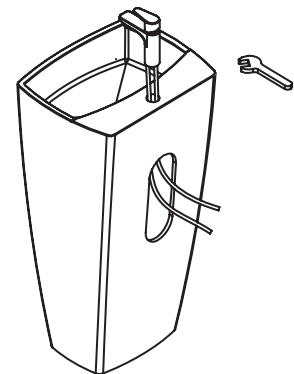
3. Check the location where the basin will be put



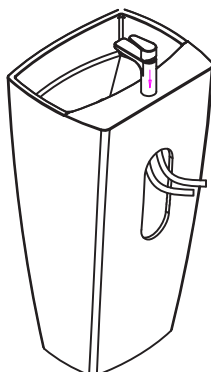
4. Install the water inlet hoses. Put the nuts and washer on the hoses, get it go through the tap hole from below to top



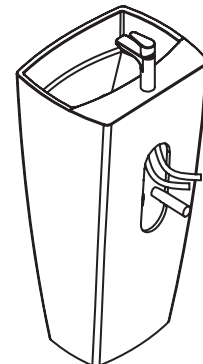
5. Connect the tap with the water inlet hoses



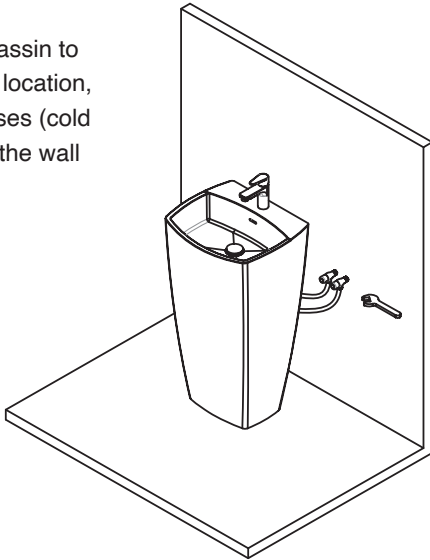
6. Fasten and tighten the faucet



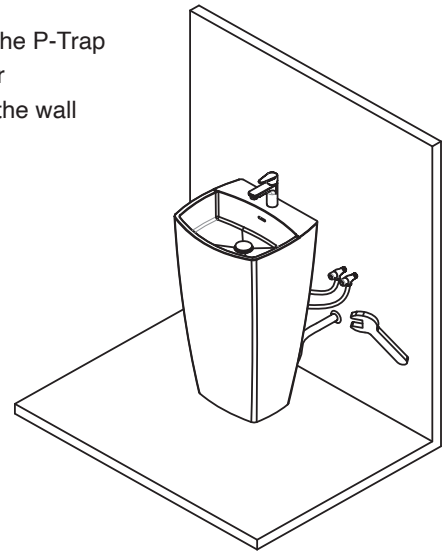
7. Through the back cut hole, install the drain and P-trap



8. Move the basin to the desired location, connect hoses (cold and hot) to the wall inlet

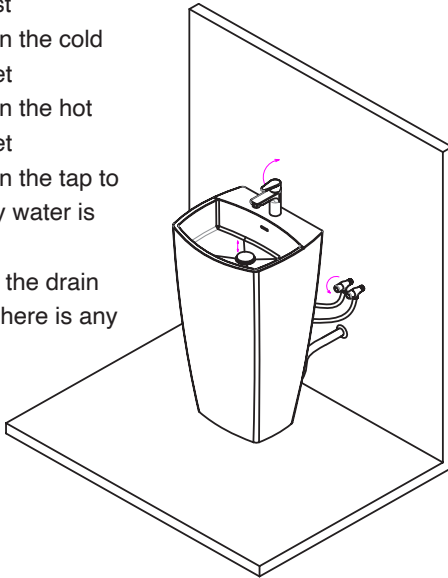


9. Connect the P-Trap with water outlet on the wall

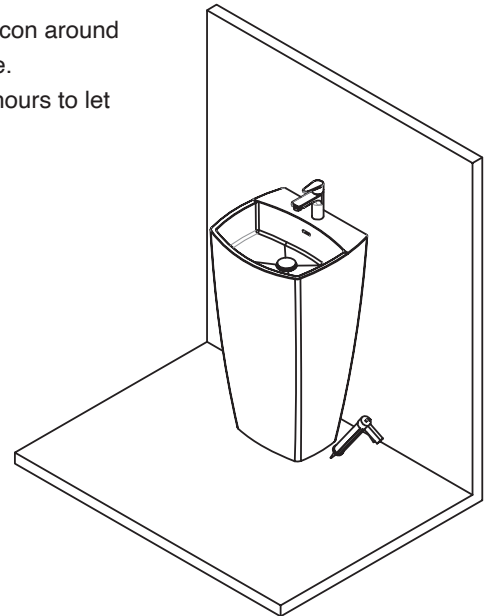


10. Water test

- 1) Turn on the cold water inlet
- 2) Turn on the hot water inlet
- 3) Turn on the tap to see if any water is leaking
- 4) Check the drain to see if there is any leaking



11. Apply silicon around sink base. Wait 24 hours to let it dry up.





LIMITED WARRANTIES

Odass warrants the product to be free from defects in workmanship from the date of purchase. These warranties extend only to the original owner/end-user for personal household use and start from the date of purchase/billing.

This warranty cannot be transferred to a third party and additional limitations apply for commercial uses. In the eventuality that a manufacturing defect appears, the owner/ enduser must have in his possession, a proof of purchase as well as a proof of installation by a professional recognized by the construction industry.

Odass reserves the right to inspect on site, the defect by a representative of its choice. Any return of goods will not be accepted without the written authorization from Odass. Odass cannot be held responsible about the defects or breaking

resulting from any act of god, accident, catastrophe, abuse, negligence, improper installation/use/maintenance, intensive variation of temperature, exposures to chemicals or stains caused by different types of water such as ferrous or alkaline water, etc.

The use of abrasives of any kind, gritting scraper, brushes or any other scouring object which can damage the surface of the product is to be proscribed and will cancel the present warranty. Odass will be repaired or replaced (with a product of equal value) to her discretion of any product reported to the authorized dealer or to Odass as being defective within the warranty period. Neither the distributor, authorized Odass dealer nor any other person has been authorized to make any affirmation, representation or warranty other than those contained in the warranty; any affirmation, representation or warranty other than those contained in this warranty shall not be enforceable against Odass or any other person.

This warranty excludes any expenses related to shipping, handling and/or installation fees. Odass cannot be held responsible for the fees of labor, wastes of time, expenses of sundries or replacement of installation material, including, but not limited to, tiles, marble, etc.

Odass reserves the right to modify this warranty at any time, it being understood that such modification will not alter the warranty conditions applicable at the time of the sale of the products in question.

LIMITED WARRANTIES

Odass guarantees the chrome and brushed finish of stainless steel products for a limited lifetime and a 5 years warranty on the matt black finish of stainless steel products to be free from defects in workmanship and materials under normal use and service from the initial date of purchase by the owner/end-user, contractor or builder.

Odass guarantees all material made of solid surface «I-stone» for a limited lifetime to be free from defects in workmanship and materials under normal use and service from the initial date of purchase by the owner/end-user, contractor or builder.

Odass warrants for a period of 10 years, acrylic unit to be free from defects in workmanship and materials under normal use and service from the initial date of purchase by the owner/end-user, contractor or builder.

Odass warrants for a period of 10 years, shower doors to be free from defects in workmanship and materials under normal use and service from the initial date of purchase by the owner/end-user, contractor or builder.

Odass warrants for a period of 5 years, sanitary porcelain products (toilet, lavatories basin) to be free from defects in workmanship and materials under normal use and service from the initial date of purchase by the owner/end-user, contractor or builder.

Odass warrants for a period of 2 years, storage modules and vanities to be free from defects in workmanship and materials under normal use and service from the initial date of purchase by the owner/end-user, contractor or builder.

Odass warrants for a period of 2 years, glass mirrors to be free from defects in workmanship and materials under normal use and service from the initial date of purchase by the owner/end-user, contractor or builder.

Odass warrants for a period of 2 years, electrical components to be free from defects in workmanship and materials under normal use and service from the initial date of purchase by the owner/end-user, contractor or builder.